

# Hour meters / timers, electromechanical

<b>Timers, round design</b>	<b>High protection rating (AC+DC)</b>	<b>HR76</b>
-----------------------------	---------------------------------------	-------------



The hour meter HR76 feature a very high shock resistance.

These panel-mount counters for round panel cut-outs can be used in many different fields of application. These non-resettable counters are very robust and extremely tamper-proof.

### Characteristics

- 6-digit hour meter.
- Low cost.
- High shock resistance.
- Low energy consumption.
- Magnified large figures.
- Protection IP65.
- Data retention in case of power failure.
- Long service life.

### Benefits

- 50/60 Hz in the same device.
- Small mounting depth.
- Waterproof on the front and on the rear.


### Applications

Operating hours measurement with construction and agricultural machinery, compressors, power units.

### Type series

Description	Mounting	Type
Timer, round	screw mounting front side	<b>HR76.1</b>
Timer, round	clip mounting	<b>HR76.2</b>

### Accessories

		Type / size	Description		Order no.
<b>Mounting support</b> (only HR76.2)			for round counters with cutout $\varnothing$ 53 mm	black	<b>N510199</b>
<b>Gasket counter</b> (only HR76.1)		<b><math>\varnothing</math> 71,1 mm [2.80"]</b>	for cut-out $\varnothing$ 50 mm		<b>N511150</b>

## Hour meters / timers, electromechanical

<b>Timers, round design</b>	<b>High protection rating (AC+DC)</b>	<b>HR76</b>
-----------------------------	---------------------------------------	-------------

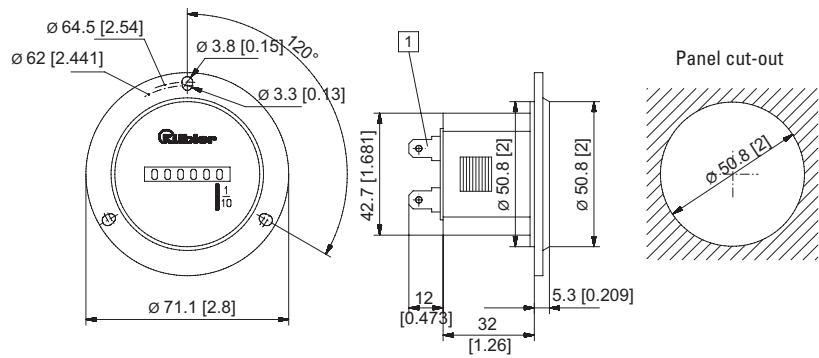
Technical data		
<b>Electrical connection</b>		flat pin 0.8 x 6.3 mm [0.031 x 0.25"]
<b>Power consumption</b>	AC	max. 0.4 VA
	12 V DC	max. 0.08 W
	48 V DC	max. 0.7 W
<b>Rated voltages</b>	AC (50 or 60 Hz)	115/230 V AC, ±10 %, 50/60 Hz
	DC	10 ... 80 V DC
<b>On time</b>		100 %
<b>Number of digits</b>		6: 99999.9 h
<b>Count mode</b>		adding
<b>Height of figures</b>		3.5 mm [0.14"] heigh
<b>Color of figures</b>		white on black
<b>Reset</b>		no reset
<b>Operating temperature</b>		-30 °C ... +65 °C [-22 °F ... +185 °F] (non-condensing)
<b>Storage temperature</b>		-40 °C ... +85 °C [-40 °F ... +149 °F]
<b>Relative humidity</b> at +25 °C [+77 °F]		≤ 95 % (non-condensing)
<b>Altitude</b>		up to 2000 m [6562']
<b>Mounting position</b>		any
<b>Protection</b>		IP65 (except the connections)
<b>Housing</b>		plastic PC (Polycarbonate)
<b>Accuracy</b>		< 0.02 % over the full range
<b>Weight</b>	HR76.1	56 g [1.98 oz]
	HR76.2	54 g [1.91 oz]
<b>Device safety</b>	designed to	EN 61010 part 1
	protection class	2
	application area	pollution level 2

Approvals		
<b>UL compliant</b> in accordance with		File no. E128604
<b>CE compliant</b> in accordance with	EMC Directive	2014/30/EU
	RoHS Directive	2011/65/EU
	Low Voltage Directive	2014/35/EU
<b>UKCA compliant</b> in accordance with	EMC Regulations	S.I. 2016/1091
	RoHS Regulations	S.I. 2012/3032
	Low Voltage Regulations	S.I. 2016/1101

# Hour meters / timers, electromechanical

**Timers, round design**      **High protection rating (AC+DC)**      **HR76**

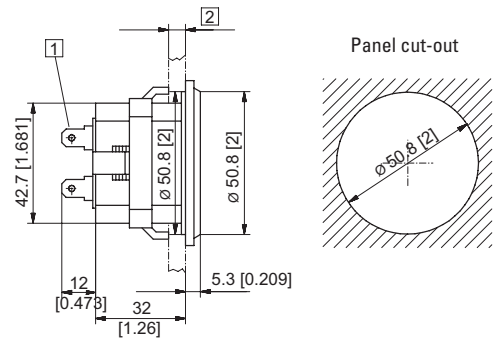
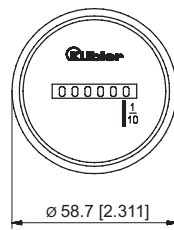
**Timer, round  
screw mounting front side  
Type HR76.1**



1) Electrical connection: flat pin 0.8 x 6.3 [0.031 x 0.25]

Type	Display	Voltage	Art. no.			
			10 ... 80 V DC	115 V	230 V	
HR76.1	6 digits	AC (50/60 Hz)		0.135.100.301 <sup>1)</sup>	0.135.100.302 <sup>1)</sup>	Gasket for front bezel N511150 not included in delivery
	6 digits	DC	0.135.100.373 <sup>1)</sup>			

**Timer, round  
clip mounting  
Type HR76.2**



For mounting the counter onto a flat plate, see accessories chapter  
Art. no.: N510199

1) Electrical connection: flat pin 0.8 x 6.3 [0.031 x 0.25]      2) max. 9 [035]

Type	Display	Voltage	Art. no.			
			10 ... 80 V DC	115 V	230 V	
HR76.2	6 digits	AC (50/60 Hz)		0.135.200.301 <sup>1)</sup>	0.135.200.302 <sup>1)</sup>	Gasket integrated in counter
	6 digits	DC	0.135.200.373 <sup>1)</sup>			