

# Pulse counters, electronic

LCD pulse counters	With count direction AC (battery)	Codix 132
--------------------	-----------------------------------	-----------



The Codix 132 is a simple battery powered pulse counter with count and count direction input, 8-digit LCD display, optional backlighting, for high voltage applications 10 ... 260 V AC/DC.



Battery powered	Input type	Pulse voltage	Count with direction (DIR)	Max. count frequency	Temperature range	High protection level	DIN front bezel	LCD display	Lockable reset

### Powerful

- High quality LCD display with 8 mm high figures.
- Count direction adding and subtracting via direction input.
- Battery life approx. 8 years.
- Optional display backlighting.
- Filter function for bounce-free counting with mechanical contacts.
- Count frequency max. 30 Hz.
- High protection level IP65.

### Simple

- Screw terminals, RM 5 mm.
- Reset key can be enabled via "Reset Enable" input.
- High voltage version for 10 ... 260 V AC/DC voltage pulses.
- Large 8-digit LCD display with 8 mm high figures.

Order code	6.132 . 012 . 8 X 3
------------	---------------------

- a** Backlighting  
 5 = without <sup>1)</sup>  
 6 = with <sup>1)</sup>

**b** Input type: Cnt.Dir<sup>2)</sup> – count direction with count and static direction input

Input type	INP A				INP B			
3 <sup>1)</sup> = Cnt.Dir <sup>2)</sup>	10 ... 260 V AC/DC	direction	AC/DC	30 Hz	10 ... 260 V AC/DC	count	AC/DC	30 Hz

#### Delivery specification

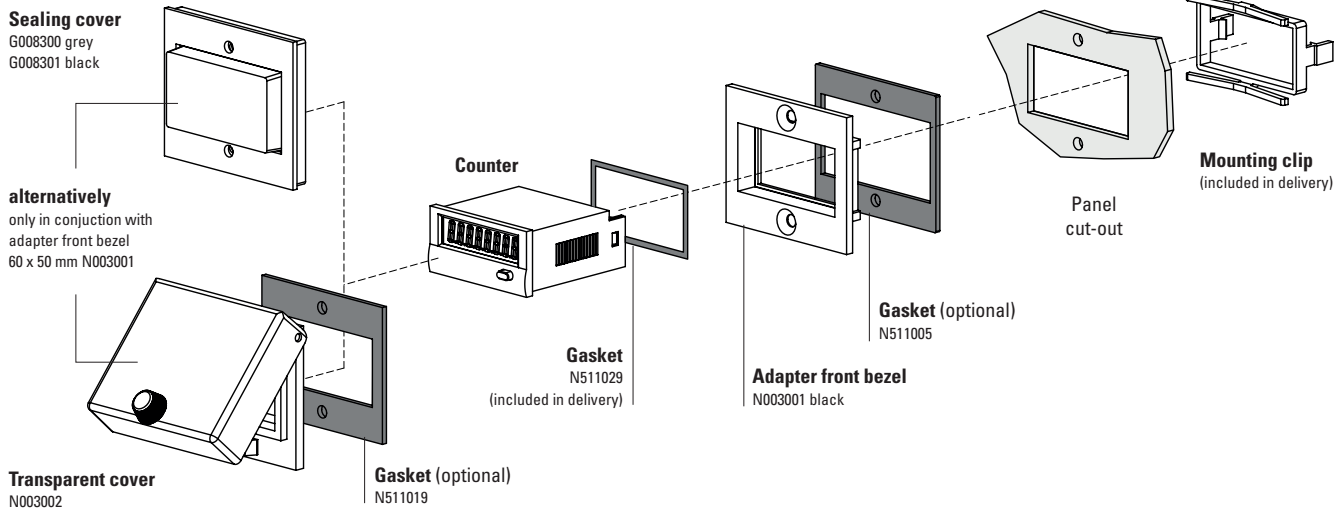
- Pulse counter
- Mounting clip
- Front bezel for screw mounting (T008181) 56 x 40 mm [2.20 x 1.57"], panel cut-out 50 x 25 mm [1.97 x 0.98"]
- Front bezel for clip mounting (T008180) 53 x 28 mm [2.09 x 1.10"], panel cut-out 50 x 25 mm [1.97 x 0.98"]
- Gasket
- Instruction manual, multilingual

1) Stock types.  
 2) Counting input with counting direction input.

# Pulse counters, electronic

**LCD pulse counters**      **With count direction AC (battery)**      **Codix 132**

**Accessories / Mounting examples**



		Type / size	Description		Order no.	suitable gasket
<b>Adapter front bezel</b>		<b>53 x 28 mm</b> [2.09 x 1.10"]	for cut-out 50 x 25 mm [1.97 x 0.98"] to cut-out 45 x 22.2 mm [1.77 x 0.94"]	grey black anthracite	<b>T008164</b> <b>T008165</b> <b>T008180</b>	<b>N511015</b>
		<b>56 x 40 mm</b> [2.20 x 1.57"]	for cut-out 50 x 25 mm [1.97 x 0.98"] to cut-out 45 x 22.2 mm [1.77 x 0.94"] screw mounting	black anthracite	<b>T008161</b> <b>T008181</b>	<b>N511045</b>
		<b>72 x 36 mm</b> [2.83 x 1.42"]	for cut-out 68 x 33 mm [2.68 x 1.30"] to cut-out 45 x 22.2 mm [1.77 x 0.94"]	black and silver anodised as set	<b>162704Set</b>	–
		<b>60 x 50 mm</b> [2.36 x 1.97"]	for cut-out 54 x 29 mm [2.13 x 1.14"] to cut-out 45 x 22.2 mm [1.77 x 0.94"] screw mounting	black	<b>N003001</b>	<b>N511005</b>
		<b>48 x 48 mm</b> [1.89 x 1.89"]	for cut-out 45 x 45 mm [1.77 x 1.77"] to cut-out 45 x 22.2 mm [1.77 x 0.94"]	black	<b>T008883</b>	–
<b>Sealing cover IP65</b>		<b>K1</b>	only in conjunction with adapter front bezel 60 x 50 mm N003001	transparent / grey transparent / black	<b>G008300</b> <b>G008301</b>	–
<b>Transparent cover IP65</b>		<b>1 Dv</b> (mounted on bezel)	cover lockable, for cut-out 54 x 29 mm [2.13 x 1.14"], only in conjunction with adapter front bezel 60 x 50 mm N003001	transparent / black	<b>N003002</b>	<b>N511019</b>
<b>Gasket counter</b>			48 x 24 mm (for installation in adapter front bezel) 49 x 25 mm		<b>N511029</b> <b>N511034</b>	
<b>Mounting frame</b>		<b>cut-out</b> <b>50 x 25 mm</b> [1.97 x 0.98"]	via adapter T008180 for snap-on mounting on 35 mm [1.38"] top-hat DIN rail	chromated	<b>G300004</b>	–
<b>Enclosure blind</b>		<b>48 x 24 mm</b> [1.89 x 0.94"]	for cut-out 45 x 22.2 mm [1.77 x 0.94"] and cut-out 50 x 25 mm [1.97 x 0.98"]	anthracite	<b>G003836</b>	–

incl. in delivery

# Pulse counters, electronic

<b>LCD pulse counters</b>	<b>With count direction AC (battery)</b>	<b>Codix 132</b>
---------------------------	--	------------------

## Technical data

General technical data	
<b>Display</b>	LCD, 8 digits, 8 mm [0.32"] high
<b>Backlighting</b>	external electrical source 24 V DC $\pm 20\%$ , 50 mA
<b>Modes</b>	counting direction (count and direction input)
<b>Display range</b>	-9999999 ... 99999999, with overflow display
<b>Reset</b>	manual and electrical
<b>Working temperature</b>	-10 °C ... +55 °C [+14 °F ... +131 °F] (non-condensing)
<b>Operating temperature</b>	-10 °C ... +60 °C [+14 °F ... +140 °F] (non-condensing)
<b>Storage temperature</b>	-20 °C ... +70 °C [-4 °F ... +158 °F]
<b>Relative humidity</b>	< 85 % (non-condensing)
<b>Altitude</b>	up to 2000 m [6562']

Electrical characteristics	
<b>Supply voltage</b>	internal lithium battery approx. 8 years at 20 °C [68 °F]
<b>Device safety</b>	designed to protection class 2 application area pollution level 2

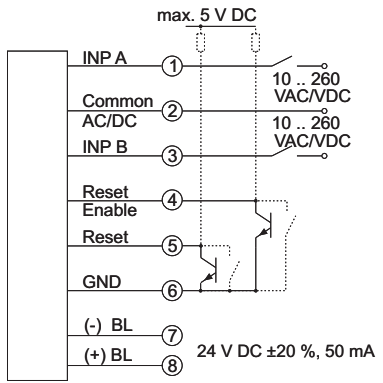
Mechanical characteristics	
<b>Housing</b>	dark grey RAL 7021
<b>Protection</b>	IP65 (front side)
<b>Weight</b>	approx. 50 g [1.76 oz]

Counting inputs	
<b>Counting input of the high voltage versions (10 ... 260 V DC/AC)</b>	
counting and direction input	
optocoupler input	max. 30 Hz
minimum pulse time	16 ms
switching level	LOW 0 ... 2 V AC/DC HIGH 10 ... 260 V AC/DC
<b>Reset input</b>	
minimum pulse time	DC 50 ms high voltage 16 ms
contact input DC – NPN	LOW 0 ... 0.7 VDC HIGH 3 ... 30 V DC
<b>Electrical reset key locking</b>	
contact input	open collector NPN (switching at 0 V)
switching level – NPN	LOW 0 ... 0.7 V DC HIGH 3 ... 5 V DC

Approvals	
<b>UL compliant</b> in accordance with	File no. E128604
<b>CE compliant</b> in accordance with	
EMC Directive	2014/30/EU
RoHS Directive	2011/65/EU
Low Voltage Directive	2014/35/EU
<b>UKCA compliant</b> in accordance with	
EMC Regulations	S.I. 2016/1091
RoHS Regulations	S.I. 2012/3032
Low Voltage Regulations	S.I. 2016/1101

### Terminal assignment

AC type: 6.132.012.8x3



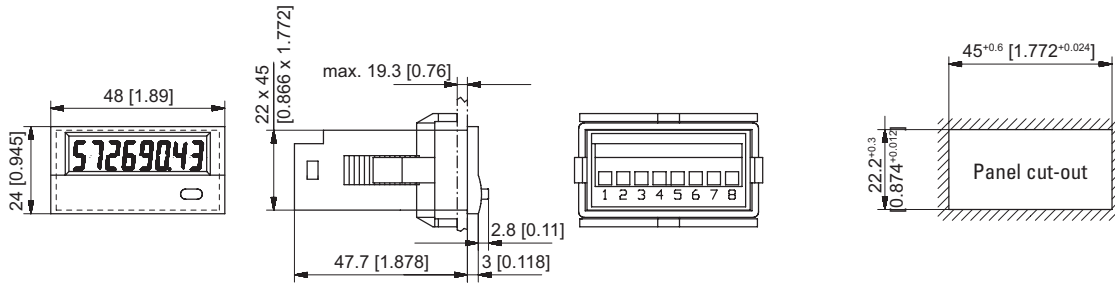
BL = backlighting

# Pulse counters, electronic

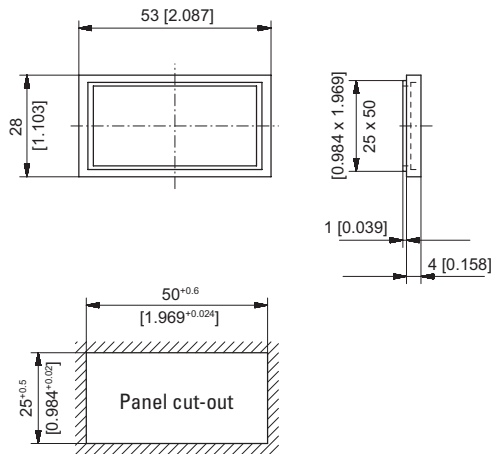
**LCD pulse counters**      **With count direction AC (battery)**      **Codix 132**

## Dimensions

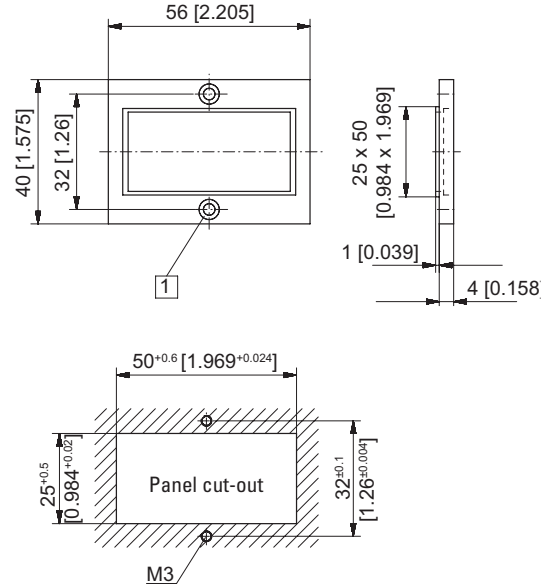
Dimensions in mm [inch]



### Front bezel for clip mounting (included in delivery)



### Front bezel for screw mounting (included in delivery)



1 Countersinking Af3, DIN 74