

Preset counters, electronic

LED position preset counters **SSI o. incremental inputs / 4 switch outputs + analog output** **575**



Counter series for demanding applications with two individually scalable encoder inputs, each SSI master / SSI slave or A, /A, B, /B, for count frequencies up to 1 MHz per channel. Programmable operating modes include position or event counter, totalizer, difference counter.



AC/DC 24/17 ... 30V	000000 DIN 96x48	IP65	max. 1 MHz	SSI	TTL, HTL and RS422 input	6/8 LEDs	DC out 5 / 24 V	mA, V	4	RS232
Supply voltage	DIN front bezel	High protection level	2 inputs	SSI input		LED display	2 x sensor power supply	Analog output optional	Transistor output	Interface

Innovative

- 3 display values: counter 1, 2 as well as calculation-based display.
- 2 separate freely scalable count inputs: SSI master, SSI slave or TTL incremental (also with inverted inputs) max. input frequency 1 MHz/channel.
- Very bright LED display, 15 mm (6-digit) and 10 mm (8-digit) high.
- 4 freely programmable fast solid-state outputs, each with 350 mA output current.
- Step or tracking presets.
- Simple programming – with function codes, dependent on the operating mode selected.
- With 8 different fixed count functions, such as simple count, difference count and total count of both inputs, separate display of the inputs.

Compact and multifunctional

- AC and DC supply voltage in one device.
- Simple programming with 4 keys and programmable dual functions.
- Can be used as counter or position display with limit values, where 2 values are monitored or calculated with respect to each other.
- 4 fast, programmable inputs with various functions, such as reset, gate, display memory (store), reference input or switching between the display values.
- Scalable analog output 0/4 ... 20 mA, ±10 V or 0 ... 10 V.
- RS232 interface as standard, for parameter setting, readout of values or for modifications during operation.
- 2 auxiliary power supplies for sensors: 5.2 V DC and 24 V DC.

Order specifications

4 fast switch outputs and serial interface (RS232)

	Order no.
6 digits	6.575.0116.D05
6 digits, scalable analog outputs	6.575.0116.D95
8 digits	6.575.0118.D05
8 digits, scalable analog outputs	6.575.0118.D95

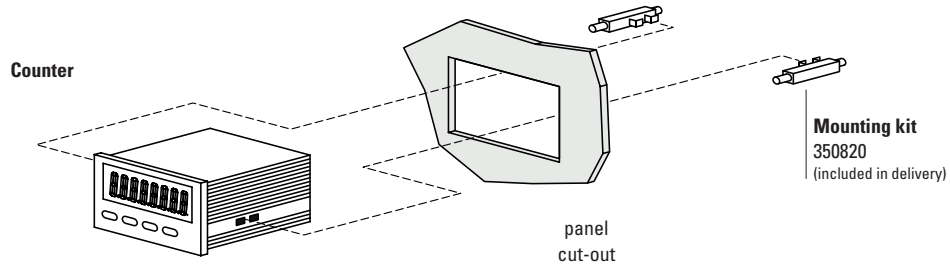
Delivery specification

- Controller 575
- Gasket
- Fastening set
- Instruction manual German/English

Preset counters, electronic

LED position preset counters	SSI o. incremental inputs / 4 switch outputs + analog output	575
-------------------------------------	---	------------

Accessories / Mounting examples



		Type / size	Description		Order no.	
Mounting kit			1 kit consists of 2 latch hooks		350820	
Mounting frame		cut-out 92 x 45 mm [3.62 x 1.77"]	for snap-on mounting on 35 mm [1.38"] top-hat DIN rail	grey	G300005	-
Software for parameter setting OSxx			https://www.kuebler.com/de/docu-finder search box: OS1			

incl. in delivery

Technical data

General technical data		
Display	6 digits 8 digits	LED display, 15 mm [0.59"] high LED display, 10 mm [0.39"] high
Operating temperature	0 °C ... +45 °C [+32 °F ... +113 °F] (non-condensing)	
Storage temperature	-25 °C ... +70 °C [-13 °F ... +158 °F]	

Electrical characteristics		
Supply voltage	24 V AC, + 10 % 24 (17 ... 30) V DC	
Current consumption DC	100 mA + current consumption encoder	
Connected load AC	15 VA	
Auxiliary power supply output for sensors	2 x 5.2 V DC, each 150 mA 2 x 24 V DC, each 120 mA	
Device safety	designed to protection class application area	EN 61010 part 1 2 pollution level 2

Inputs		
Universal SSI incremental encoder inputs		
Number	2 SSI or 1 SSI + 1 incremental	
Count frequency (per encoder)	RS422 and TTL with Inv. 1 MHz SSI master 1 MHz (max. 32 bit) SSI slave 1 MHz (max. 32 bit)	
Control inputs HTL		
Number	4	
Input resistor	3.3 kOhm	
Switching level	LOW	< 2.5 V
	HIGH	> 10 V
Min. pulse duration	50 µs	

Mechanical characteristics		
Housing	Noryl UL94-V-0	
Screw terminal	cable cross-section	max. 1.5 mm ² [AWG 25]
Protection	IP65 (front side)	
Weight	approx. 250 g [8.82 oz]	

Outputs		
Switch outputs		
4 fast power transistors	5 ... 30 V DC, 350 mA	
Reaction time	< 1ms ¹⁾	
Inductive loads require a freewheeling diode		
Serial interface	RS232, 2400 ... 38400 Baud	
Analog outputs		
Current	0 / 4 ... 20 mA	
Load	max. 270 Ohm	
Voltage	0 ... +10 V (max. 3 mA)	
Resolution	14 bit	
Precision	0.1 %	
Reaction time	< 1 m	

Approvals		
CE compliant in accordance with		
EMC Directive	2014/30/EU	
RoHS Directive	2011/65/EU	
Low Voltage Directive	2014/35/EU	
UKCA compliant in accordance with		
EMC Regulations	S.I. 2016/1091	
RoHS Regulations	S.I. 2012/3032	
Low Voltage Regulations	S.I. 2016/1101	

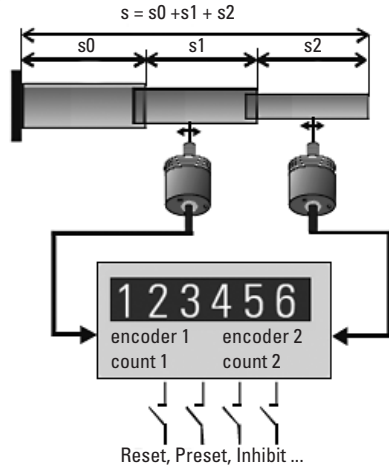
1) Intensive serial communication can temporarily prolong the reaction time

Preset counters, electronic

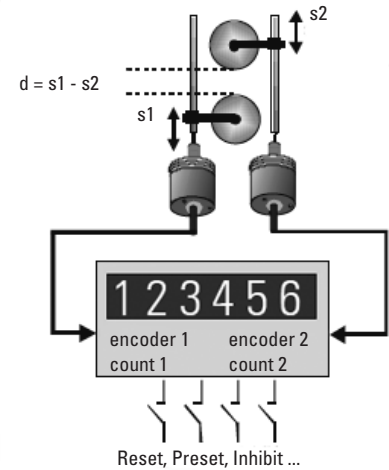
LED position preset counters SSI o. incremental inputs / 4 switch outputs + analog output **575**

Application examples

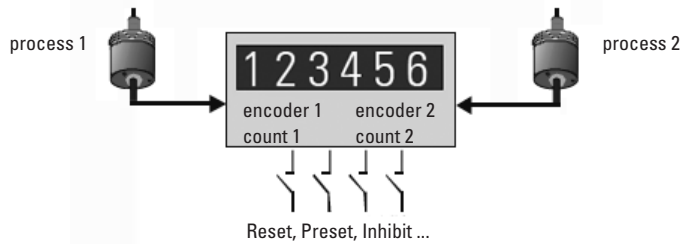
Total position display



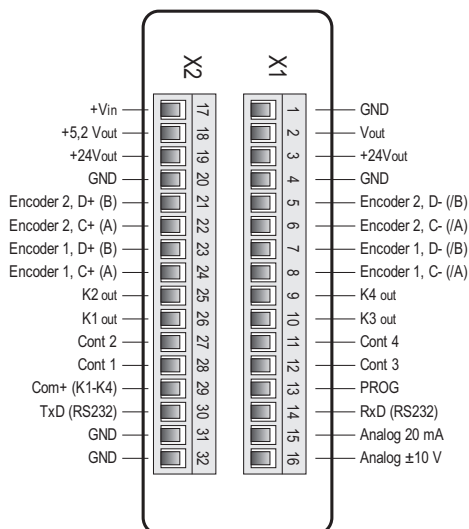
Difference position display



Independent individual operation

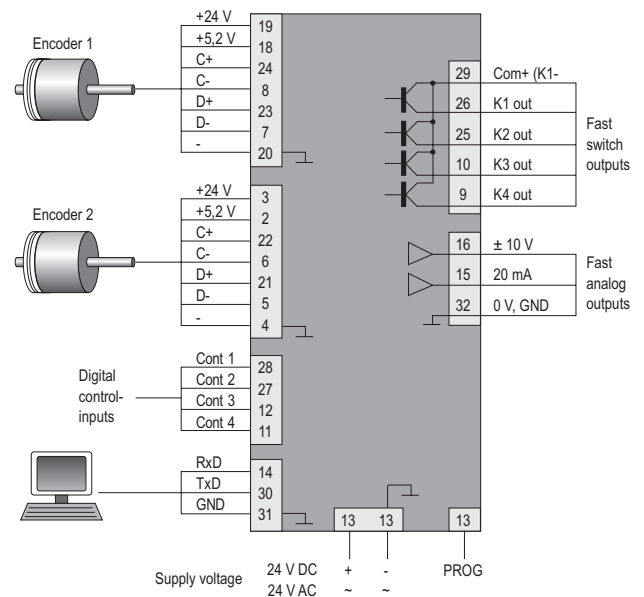


Terminal assignment



Connection examples

Example shows encoder with 5 V-supply and TTL / RS422-output

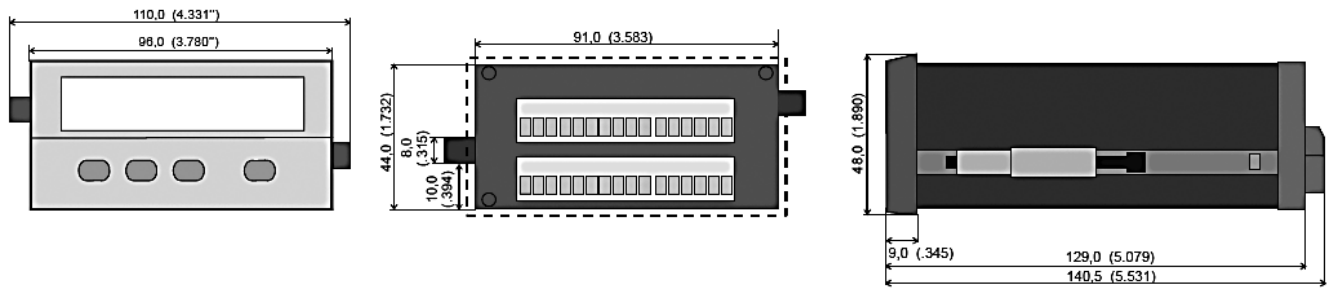


Preset counters, electronic

LED position preset counters **SSI o. incremental inputs / 4 switch outputs + analog output** **575**

Dimensions

Dimensions in mm [inch]



Panel cut-out 92 x 45 mm [3.62 x 1.77]