

Position displays

LCD touch IO-Link display	2 measuring values + analog and switching outputs	573T IO-Link
---------------------------	---	--------------



The 573T IO-Link display can display a maximum of 2 measuring values simultaneously and can be used in both single channel mode as well as in dual channel. In dual channel mode, all arithmetic operations are available for displaying the sum total, difference, ratio or the product. Inputs and outputs can be scaled separately.



AC 115...230 V Supply voltage	DC 18 ... 30 V Supply voltage	mA, V 2 inputs	4 4 switching outputs	2 Relay output	mA, V Analog output	16 bit Resolution analog output	RS232/485 RS232 / RS485 interface	IP65 High protection level	Tara Tare function	DIN 96x48 DIN front bezel	
123... 8 LCDs LCD touch display	PROG Menu-driven programming	Touch Touch display	Gloves Operation with gloves								

Innovative

- IO-Link input/output interface with Device 1.1 protocol.
- 2 separate freely scalable analog inputs ± 10 V and 0/4 ... 20 mA, resolution 16 bit.
- Tare function – the unit can be set to 0 for any input voltage.
- Programmable linearization: with up to 24 control points, input via key-pad or via the teach-in function.
- Averaging measurement over 2 to 16 measuring cycles, for use with serious fluctuations of the input signals.
- Easy to program - the desired display value is simply keyed-in for a specific input signal.
- Fast 1 ms sampling rate per channel alternating.
- Serial interface RS232 or RS485 for reading data in and out.
- Total sum counter for single and total values – time-controlled or manually controlled.

Compact and multifunctional

- Up to 3 display values in one device, display 1, display 2 + display calculated based on 1 and 2.
- AC and DC supply voltage in one device.
- Simple menu-driven programming via touch display, as well as tare or teach-in key.
- Can be used as a simple process signal converter, process controller (ON/OFF controller) or for complex measuring tasks where the relationship between two values, one to the other, must be monitored, calculated or further processed in a higher-level controller.
- Mathematical operation of the measured values of input 1 and 2. The result can also if required be multiplied, divided or added to an offset value, in order to obtain the desired display value.
- Analog output 0/4 ... 20 mA or ± 10 V.
- 4 fast PNP switching outputs (reaction time < 1 ms), with switching hysteresis, step or tracking preset.
- Programmable display refresh time.

Multifunctional display

Large-scale 4-digit display over the whole display surface.

2-line display modes for the simultaneous display of 2 separate measured or calculated values.

Color change of the display to green, yellow or red.



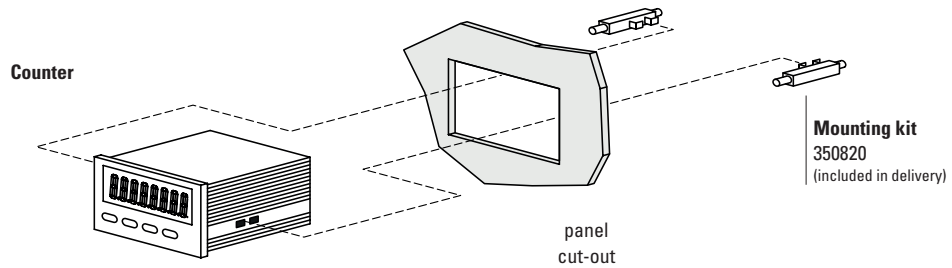
Position displays

LCD touch IO-Link display **2 measuring values + analog and switching outputs** **573T IO-Link**

Order code **6.573T . 01 X . X 0 X . 001**

- | | | | |
|--|---|--|---|
| <p>a <i>Relay outputs</i>
0 = 2 relay outputs
2 = without output</p> <p>b <i>Supply voltage</i>
3 = 18 ... 30 V DC
E = 18 ... 30 V DC + 115 ... 230 V AC</p> <p>c <i>Further options</i>
0 = none</p> | <p>d <i>Electrical outputs</i>
0 = none
1 = RS232, 4 switching outputs
2 = RS232, 4 switching outputs, 16 Bit analog output
3 = RS485, 4 switching outputs
4 = RS485, 4 switching outputs, 16 Bit analog output</p> <p>e <i>IO-Link</i>
001 = IO-Link</p> | <p><i>Delivery specification</i></p> <ul style="list-style-type: none"> · Display 573T · Gasket · Mounting kit · Manual German/English | <p><i>Stock types</i></p> <p>6.573T.012.301</p> <p>6.573T.012.302</p> <p>6.573T.010.302</p> <p>6.573T.010.E02</p> |
|--|---|--|---|

Accessories / Mounting examples



		Type / size	Description		Order no.	
Mounting kit			1 kit consists of 2 latch hooks		350820	
Mounting frame		cut-out 92 x 45 mm [3.62 x 1.77"]	for snap-on mounting on 35 mm [1.38"] top-hat DIN rail	grey	G300005	–
Software for parameter setting OSxx			https://www.kuebler.com/de/docu-finder search box: OS1			

incl. in delivery

Position displays

LCD touch IO-Link display	2 measuring values + analog and switching outputs	573T IO-Link
----------------------------------	--	---------------------

Technical data

General technical data	
Display	LCD touch display, 13 mm high 8 decades + sign, 3-color
Operating temperature	-20 °C ... +60 °C [-4°F ... +140°F] (non-condensing)
Storage temperature	-25 °C ... +70 °C [-13°F ... +158°F]
Altitude	up to 2000 m [6562']

Electrical characteristics	
Supply voltage	18 ... 30 V DC, with reverse polarity protection (rated voltage 24 V DC) 115 ... 230 V AC, 50/60 Hz (option)
Current consumption DC	100 mA, without load
Power consumption AC	approx. 3 VA, without load
Auxiliary power supply (for encoder)	
AC supply	24 V DC ±15 %, 150 mA (up to +45 °C) 80 mA (from +46 °C)
DC supply	U _B - 1 V, 250 mA
Reference output	
output voltage	10 V DC
accuracy	±0,1 %
load	max. 10 mA / ≥ 1 kOhm
Device safety	
designed to protection class	EN 61010 part 1 2
application area	pollution level 2

Mechanical characteristics	
Housing	ABS UL94-V-0
Weight	approx. 200 g
Protection	IP65 (front side) IP20 (rear side)
Terminals	max. 1.5 mm ² / AWG16

Inputs	
2 analog inputs	
	0 ... 20 mA, 4 ... 20 mA -10 ... +10 V
input resistance current	R _i = 120 Ohm
input resistance voltage	R _i = 50 kOhm
measuring time per channel	min. 1 ms (programmable)
resolution	16 bit (15 bit + sign)
accuracy	±0.1 % ±1 digit
3 control inputs (Cnt 1 - 3)	
	PNP
input frequency	max. 10 kHz
input level	HTL: Low 0 ... 3 V / High 9 ... 30 V
load	max. 2 mA / R _i > 15 kΩ / 470 pF

Outputs (option)	
4 switching outputs	
	5 ... 30 V DC/200 mA (PNP) reaction time < 1 ms
Interface	
	RS232 or RS485 Drivecom Protokoll / Modbus / Printer 9600 ... 38400 Baud
Analog output	
	-10 ... +10 V (max. 2 mA) or 0 ... 20 mA, 4 ... 20 mA (max. 270 Ω)
resolution	16 bit (15 bit + sign)
accuracy	±0.1 %
reaction time	< 150 ms
Relay output	
	2 changeover contacts (potential free) max. 250 V AC / 3 A / 750 VA max. 150 V DC / 2 A / 50 W
reaction time	< 150 ms

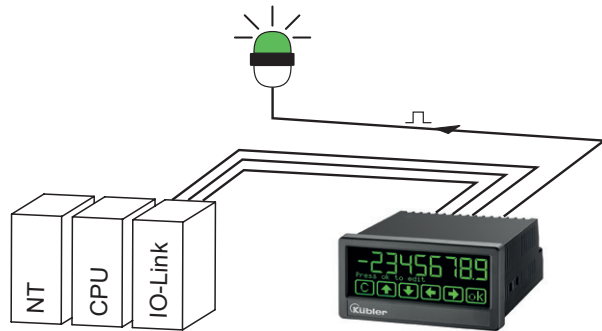
Interface characteristics IO-Link	
Assembly / Revision	Device / 1.1
Bitrate	COM3
Port classe	Type A

Approvals		
CE compliant in accordance with		
EMC Directive		2014/30/EU
RoHS Directive		2011/65/EU
Low Voltage Directive		2014/35/EU
UKCA compliant in accordance with		
EMC Regulations		S.I. 2016/1091
RoHS Regulations		S.I. 2012/3032
Low Voltage Regulations		S.I. 2016/1101

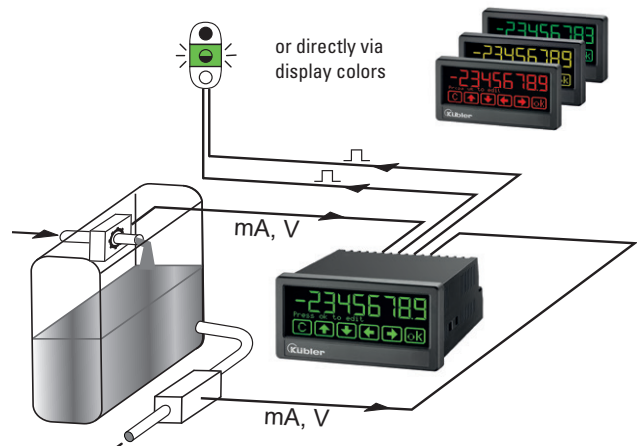
Position displays

LCD touch IO-Link display	2 measuring values + analog and switching outputs	573T IO-Link
----------------------------------	--	---------------------

Application examples



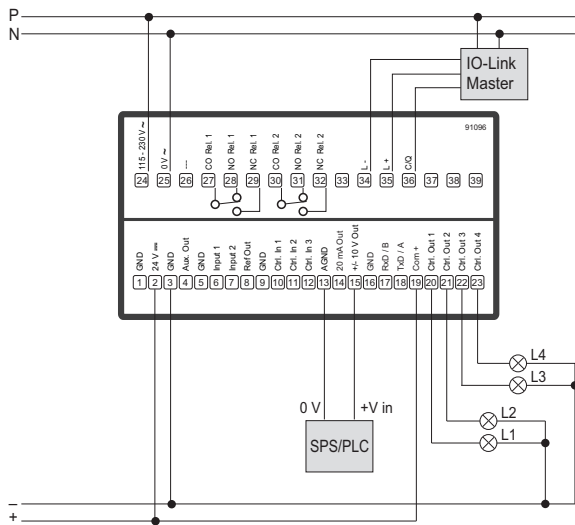
IO-Link Master with display of max. 2 measuring values



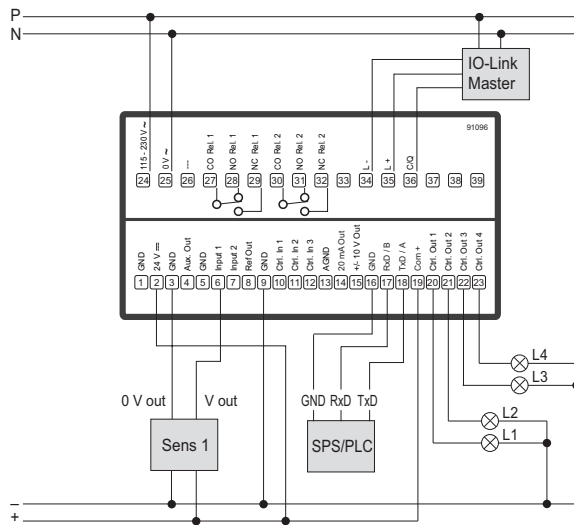
Level monitoring and adjustment, display of inflow and outflow

Connection example

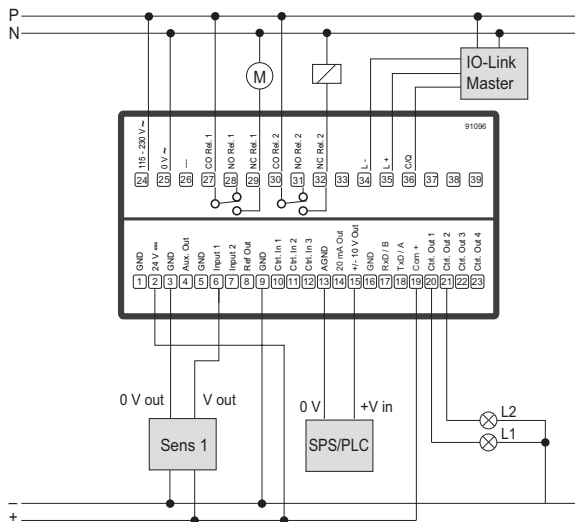
IO-Link Master, analog output, switching outputs



IO-Link Master, analog input, switching outputs, interface RS232



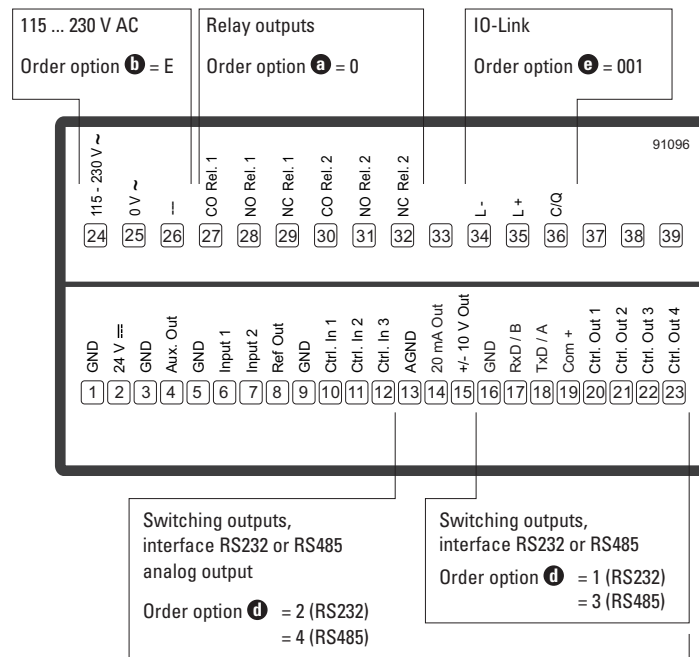
IO-Link Master, analog input, analog output, load output (relay), switching outputs



Position displays

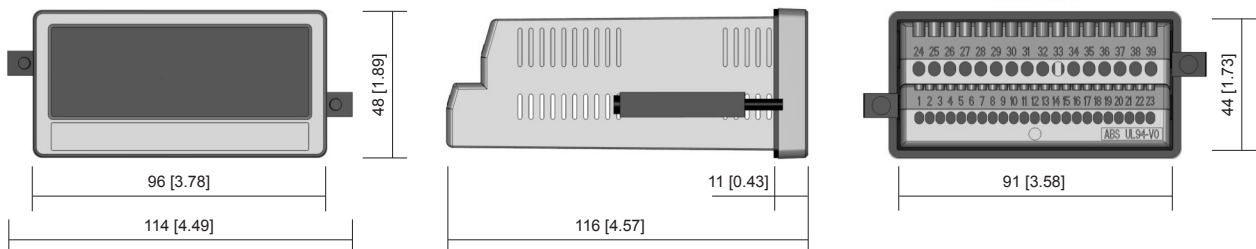
LCD touch IO-Link display	2 measuring values + analog and switching outputs	573T IO-Link
----------------------------------	--	---------------------

Terminal assignment



Dimensions

Dimensions in mm [inch]



Panel cut-out
92 x 45 mm [3.62 x 1.77"]