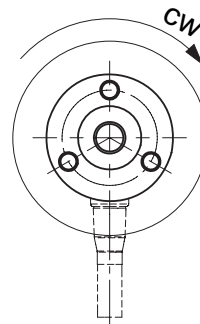
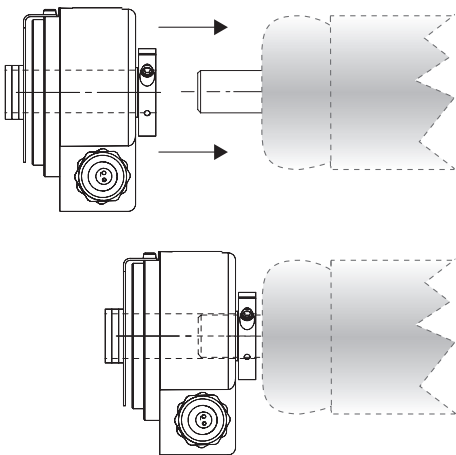
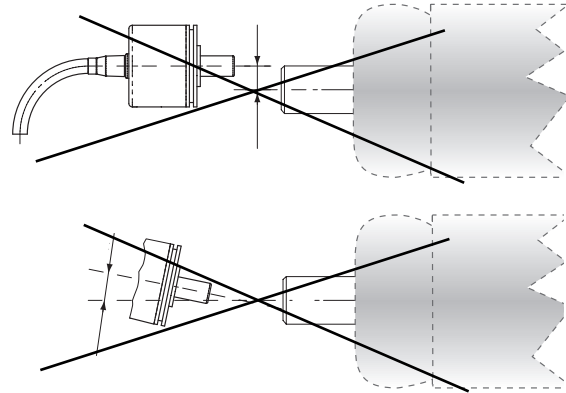
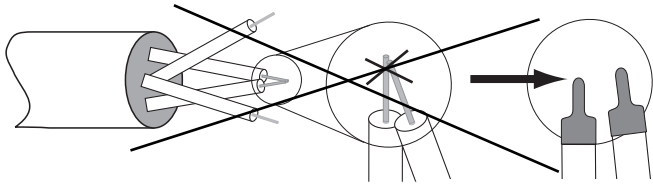
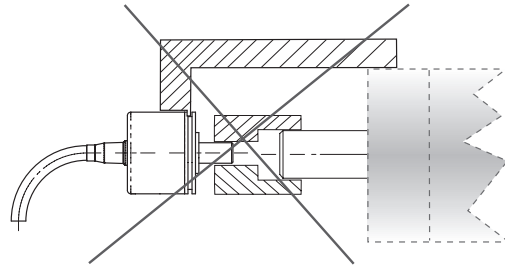
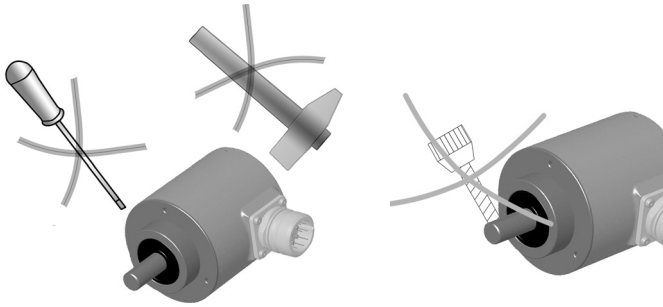


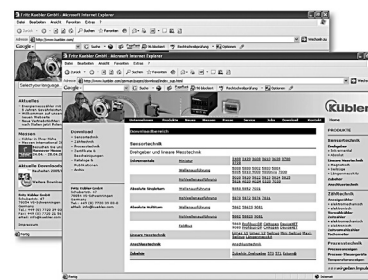
Bedienungsanleitung/Manual/Instruction de service/Instrucciones de empleo/Istruzioni per l'uso.



EN 61000-6-1 ✓
 EN 61000-6-4 ✓
 EN 61000-6-3 ✓



www.kuebler.com → Download/Support



For UL confirmation: Type X8.58XX, X5.24XX, X8.90XX, X8.36XX, X8.50XX

- Altitude up to 2000 m
- For mains supply the minimum and normal installation category is I
- Electrical Power Input: minimum 5 V DC – maximum 30 V DC as marked, Signal Inputs and Outputs: Class 2
- Max relative humidity 93% at 40°C
- Pollution degree 2
- Indoor use, outdoor use possible
- Temperature Range minimum -30°C up to 70°C (depends on type)

Warning: read installation instruction for rotary encoders. Electrical connections and ratings: see labels on product.

pulses for automation

Fritz Kübler GmbH
Zähl- und Sensortechnik
 Schubertstraße 47
 D-78054 Villingen-Schwenningen
 Telefon +49 (0) 77 20 - 39 03-0
 Telefax +49 (0) 77 20 - 2 15 64
 info@kuebler.com
 www.kuebler.com

R600066 6 200 08 ES