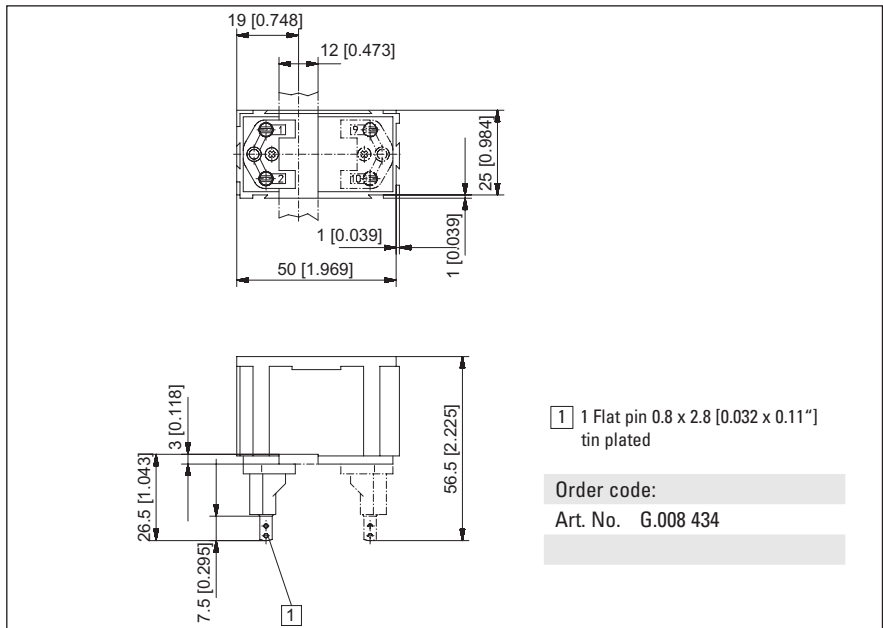


Socket boxes

Type 945.2



Suitable for counters:
B and HB

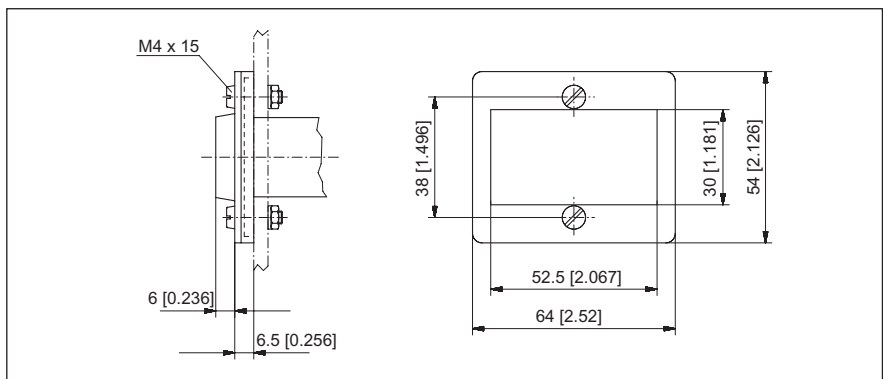


Flexible sealing cover

Type K 1



Suitable for counter types:
B 15.31, B16.31, B 16.30, B 18.30,
F1 B15.01, F1 B 16.01, F1 B 16.00,
F1 B18.00.



- Flexible sealing cover made of soft PVC, with varnished steel metal frame and fixing screws
- IP 54 protection to DIN 40050 when installed.

Order code:

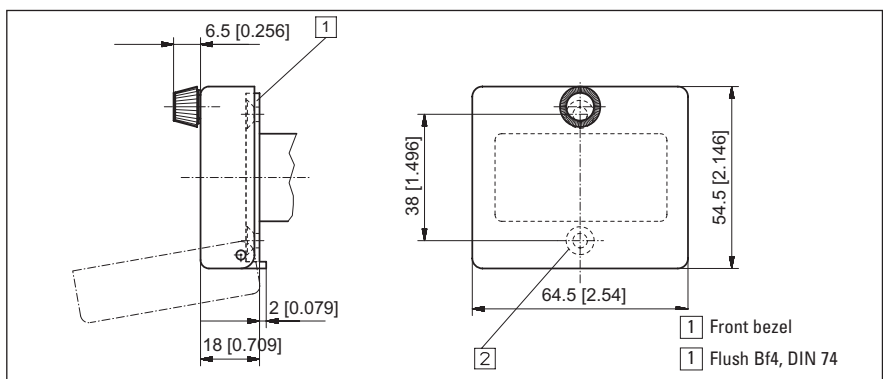
grey Art. No. G.008 300
black Art. No. G.008 301

Sealing cover

Transparent cover with key-lock 1 Dv



Suitable for counters:
H, B, HB or counters 24 x 48 mm [0.945 x 1.89"]
in bezel adapter 50 x 60 mm [1.969 x 2.363"]



- Screw-on transparent cover, 1 Dv, with key locking for size F1
- IP 65 protection with front bezel

Order code:

grey Art. No. N.003 002