













Overview

1. Accessories for counters with panel cut out 22,2 x 45, 25 x 50 or 29 x 55.1				
1.1 Front bezels	Accessories	for counter types	Remarks	Page
	Bezel adapter 37.1 for cut-out 25 x 50 mm [0.984 x 1.969"] with screw fixing	W15.5, W16.5, W17.5 CODIX 13x, CODIX 52x, H37	available in black, grey and anthracite	294
	Slip on bezel 37.2, for panel cut-out 25 x 50 mm [0.984 x 1.969"]	W15.5, W16.5, W17.5 CODIX 13x, CODIX 52x, H37	available in black and tin anodized, as set	294
	Bezel adapter for cut-out 68 x 33 mm [2.678 x 1.299"]	W15.5, W16.5, W17.5 CODIX 13x, CODIX 52x, H37	available in black, grey tin anodized as set	294
	Bezel adapter 50 x 60 mm [1.969 x 2.363"] for 18 x counter for screw fixing with sealing gaskets	184, 185, 186, 187 CODIX 13x	available in black	294
	Bezel adapter 50 x 60 mm [1.969 x 2.363"] for panel cut-out 29 x 55 mm [1.142 x 2.166"] for screw fixing with sealing gaskets	52X, 13X, H37, W15.5, W16.5, W17.5	available in black	295
	Bezel adapter 24 x 48 mm [0.945 x 1.89"] for panel cut-out 48 x 48 mm [1.89 x 1.89"] for screw fixing with sealing gaskets	52X, 13X, H37, W15.5, W16.5, W17.5	available in black	295
	Front bezel for cut-out 29 x 55 mm [1.142 x 2.166"] Size F1	B/HB counter	available in black and beige; plug in from front	295
1.2 Socket boxes	Accessories	for counter type	remarks	Page
	Socket box 945.2	B/HB counter	plug in from front	296

Overview

1.3 Sealing covers	Accessories	for counter types	Remarks	Page
	Flexible sealing cover type K1 for size F1, IP 65	B, HB or 29 x 48 mm [1.142 x 1.89"] counter in adapter bezel 50 x 60 mm [1.969 x 2.363"]		296
	Sealing covers 1 Dv for size F1, IP 65, with front bezel	B, HB or 29 x 48 mm [1.142 x 1.89"] counter with adapter bezel 50 x 60 mm [1.969 x 2.363"]	lockable front bezel, screw-on with gasket, using M4 fixing screws	296
	Transparent cover 1 Dv for size F1, IP 65 with key lock	B, HB with front bezel 50 x 60 mm [1.969 x 2.363"]	Front bezel with key lock, with 2 gaskets, can be screwed on to counter bezel	296
	Transparent cover 1 Dvs for size F1, IP 65, with key-lock	B, HB with front bezel 50 x 60 mm [1.969 x 2.363"]	Front bezel with key lock, with 2 gaskets can be screwed on to counter bezel, supplied with two keys	296

Overview / General

2. Software










- Easy parameter software for counter types 716/717 and process displays and controllers 55x.



see page 293







Accessories

Overview









3. Accessories for counters with cut-out 45 x 45, 50 x 50 or 54 x 54				
3.1 Front panel	Accessories	for counter type	Remarks	Page
	Bezel adapter 55 for cut-out 50 x 50 mm [1.969 x 1.969"] to 45 x 45 mm [1.772 x 1.772"]	H57 and HC77	black	297
	Bezel adapter 55 for el. counter 45 x 45 mm [1.772 x 1.772"] for cut-out 50 x 50 mm [1.969 x 1.969"]	901, 903, 904, 923, 924, 715 CODIX 716/717, 910	anthracite	298
	Adapter 75 x 60 mm [2.953 x 2.363"] for cut-out 50 x 50 mm [1.969 x 1.969"] to 45 x 45 mm [1.772 x 1.772"] for screw fixing	901, 903, 904, 923, 924, 715 CODIX 716/717, 910		298
	Bezel adapter 68 x 68 mm [2.678 x 2.678"] to 45 x 45 mm [1.772 x 1.772"]; additional retaining bezel available	H57 and HC77	available in grey and black	298
	Bezel adapter for hole ø 60	H57 and HC77		299
	Front bezel F2B for cut-out 54 x 54 mm [2.126 x 2.126"], size F2 for one BVa or two B counter	BVa and B counter HVa and HB counter	plug in from front	299
	Front bezel F2M for cut-out 54 x 54 mm [2.126 x 2.126"], size F2 for one MVs or two M counter	MVs or M counter	plug in from front	299

Overview

3.2 Socket boxes	Accessories	for counter types	Remarks	Page
	Socket box type 946.1	BVa	plug in from front plastic	300
	Socket box type 926.1	MVs	plug in from front	300

3.3 Sealing covers	Accessories	for counter types	Remarks	Page
	Flexible sealing cover for size F2, types K2, IP65	BVa and B counters, el. preset counters front bezel adapter 75 x 60 mm [2.953 x 2.363"]		300
	Sealing cover transparent for MVs 13 TypKV3, IP 65	MVs 13	Material: Steel	301
	Sealing cover transparent type 2 Dv for size F1, with gasket, IP 65	BVa and B counters, el. preset counters with adapter front bezel 75 x 60 mm [2.953 x 2.363"]		301
	Sealing cover with key-lock type 2 Dvs, IP 65 with gasket	BVa and B counter, el. preset counters with front bezel adapter 75 x 60 mm [2.953 x 2.363"]	with two keys	301
	Lockable transparent cover with bezel adapter for counters with dimensions 45 x 45 mm [1.772 x 1.772"] to cut-out 50 x 50 mm [1.969 x 1.969"]	901, 903, 904, 923, 924, 715 CODIX 716/717, 910		302
	Lockable transparent cover with bezel adapter for counters with dimensions 45 x 45 mm [1.772 x 1.772"] to cut-out 50 x 50 mm [1.969 x 1.969"]	901, 903, 904, 923, 924, 715 CODIX 716/717, 910		302

Overview

4. Special accessories				
4.1 Front bezel	Accessories	for counter type	Remarks	Page
	Front bezel F3B, die-cast aluminium for cut-out 81 x 55 mm [3.189 x 2.166"]	1 x BVa, 1 x B or 3 x B, HVa and HB	available in black or beige	303
	Front bezel F4B die-cast aluminium for cut-out 25 x 50 mm [0.984 x 1.969"] with screw fixing	2 x Bva or 1 x Bva and 2 x B or 4 x B	available in black or beige	303
	Blind housing 13x for cut-out 22,2 x 45 mm and 25 x 50 mm	13x, 52x, Wxx.5x H37	complete with accessories	303
	Blind housing for cut-out 25 x 50 mm	B and HB	available in black	303
	Enclosure	Counter for cut-out 25 x 50 mm [0.984 x 1.969"], 22.2 x 45 mm [0.874 x 1.772"] with bezel adapter or 45 x 45 mm [1.772 x 1.772"]	available in two sizes	304
	Rail mount frames	BVa or B HVa or HB	available in 3 versions	305
	Terminal cover for H37	H37	transparent	305
	Add on socket for H57 and HC77 on DIN rail	H57, HC77	available in black	306

EzControl



- Easy parameter software for counter type 716/717 and process displays 55x.
- Upload and download function
- Monitor- and terminal program for easy diagnostic functions
- Online display of the measurement values
- German and English.

EzControl software on CD

Order no. N 150.080

Accessories:

RS 232 interface cable to the counter

Order no. N 140.076

RS 232 <=> RS 485/422 interface converter with power supply 90 ... 250 V AC (50 or 60 Hz) and cable to counter

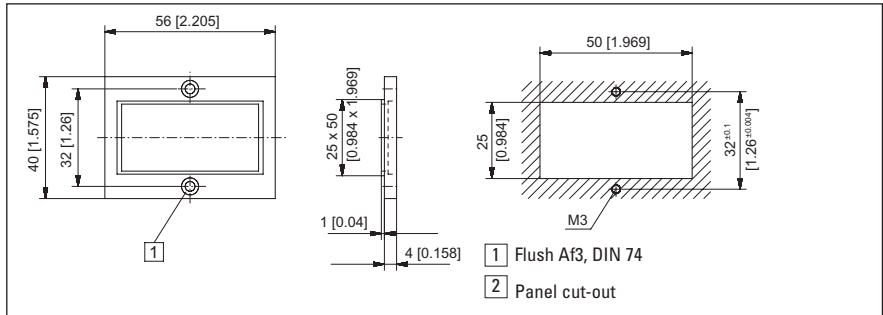
Order no. N 150.002

RS 232 <=> RS 485/422 interface converter with power supply and cable to counter for the US market (110 V AC)

Order no. N 150.003

Adapters

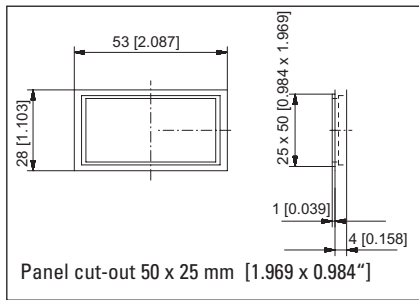
Bezel adapter **37.1**



Suitable for Process Displays **CODIX** 529, 530, 531 and 532

Order code:	
grey:	Art. no. T008 160
anthracite:	Art. no. T008 181
black:	Art. no. T008 161

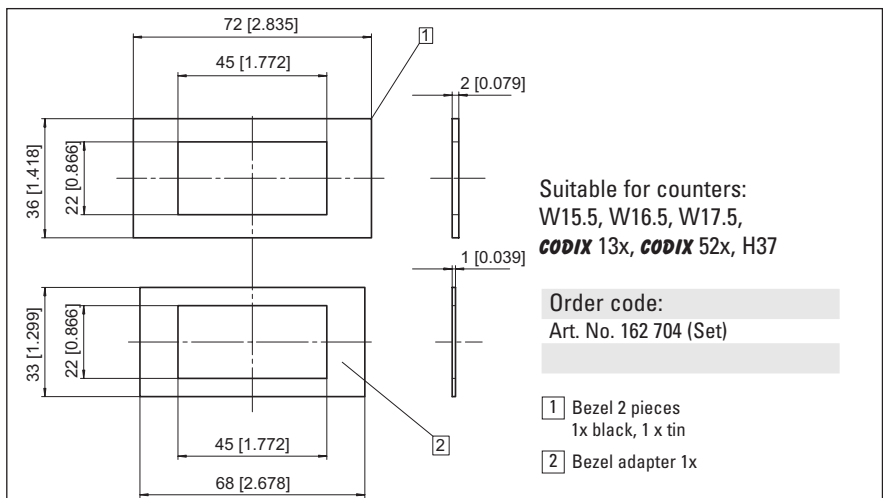
Slip-on bezel **37.2**



Suitable for counters:
W15.5, W16.5, W17.5,
CODIX 13x, **CODIX** 52x, H37

Order code:	
grey:	Art. no. T008 164
anthracite:	Art. no. T008 180
black:	Art. no. T008 165

Adapter bezel for cut-out
68 x 33 mm [2.677 x 1.299"]



Suitable for counters:
W15.5, W16.5, W17.5,
CODIX 13x, **CODIX** 52x, H37

Order code:	
Art. No. 162 704 (Set)	

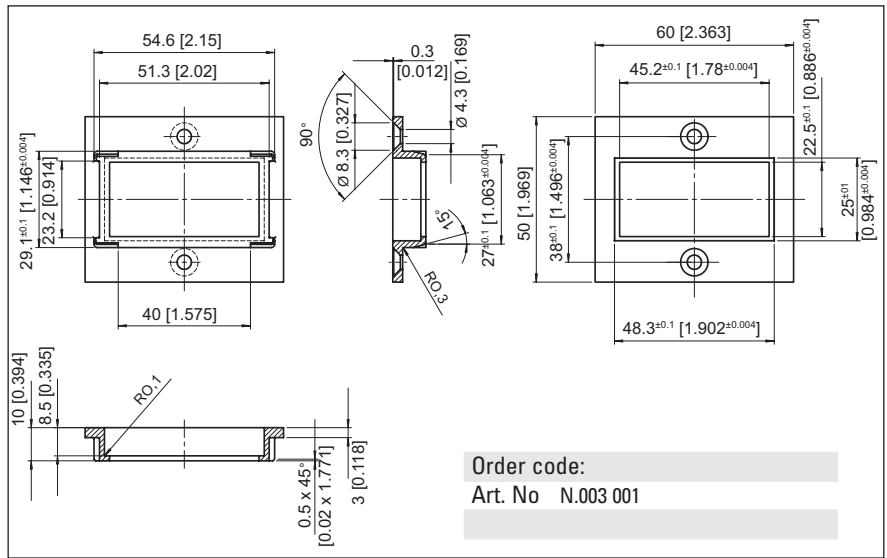
- 1 Bezel 2 pieces
1x black, 1 x tin
- 2 Bezel adapter 1x

Bezels and Sealing Covers

Bezel adapter for panel cut-out 29 x 55 mm [1.142 x 2.166"]



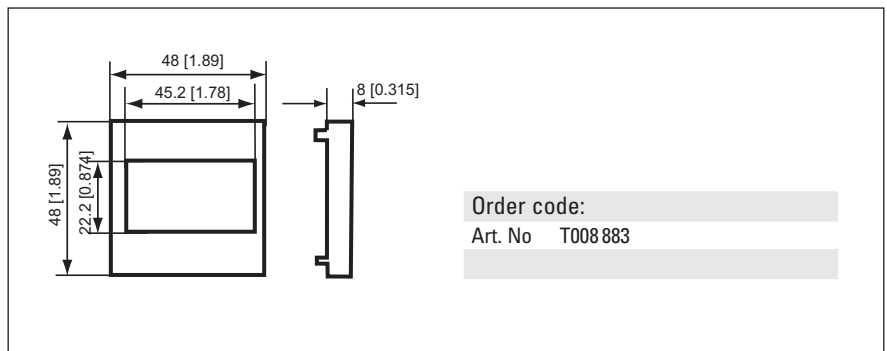
Suitable for counters: **CODIX 13x**, **CODIX 52x**, W15.5, W16.5, W17.5



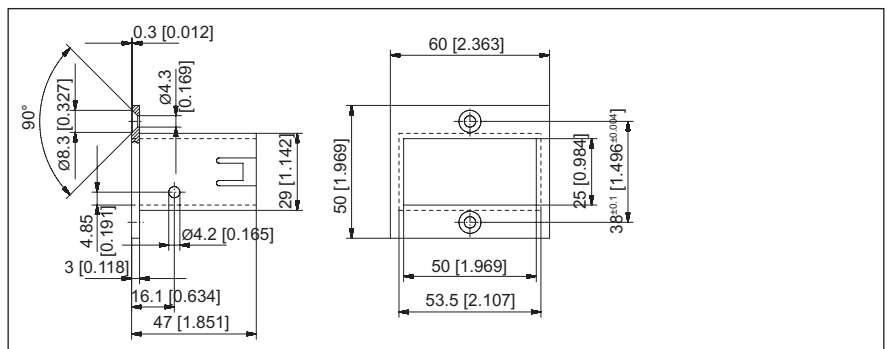
Bezel adapter for panel cut out 45 x 45 mm [1.772 x 1.772"] to 22.2 x 45 mm [0.874 x 1.772"]



Suitable for counters: **CODIX 13x**, **CODIX 52x**, W15.5, W16.5, W17.5



Type F1B



- Plastic front bezel F1B for counters with panel cut-outs 50 x 25 mm [1.969 x 0.984"].
- The counters plug into the respective socket box.

Order code:

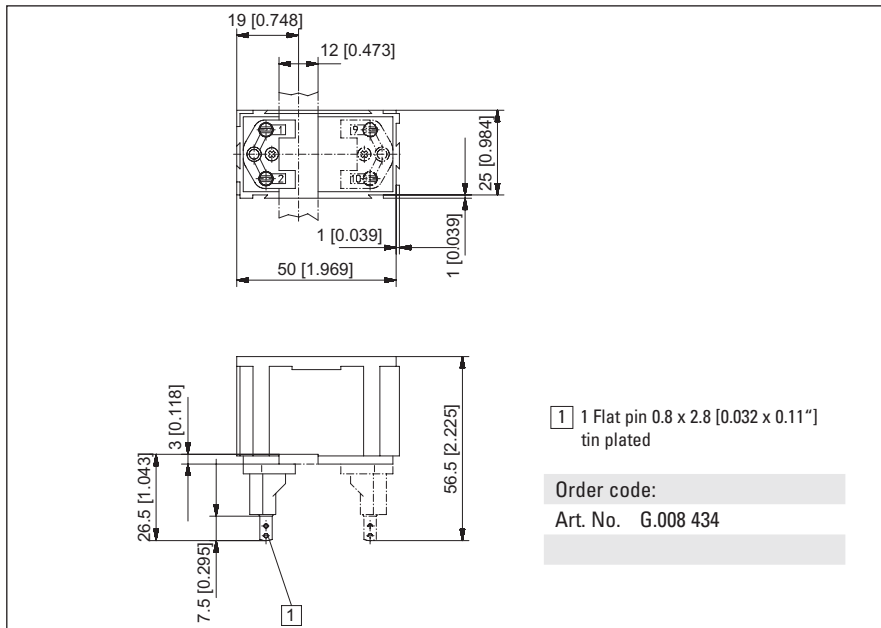
F1B	beige	Art. No. G.007 501
F1B	black	Art. No. G.007 502

Socket boxes

Type 945.2



Suitable for counters:
B and HB

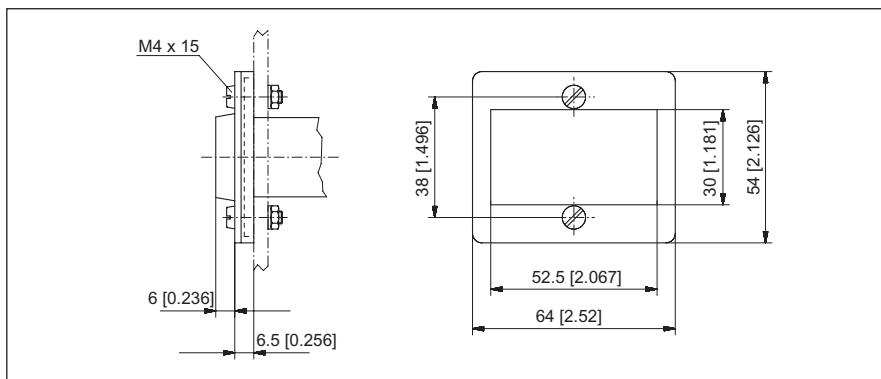


Flexible sealing cover

Type K 1



Suitable for counter types:
B 15.31, B16.31, B 16.30, B 18.30,
F1 B15.01, F1 B 16.01, F1 B 16.00,
F1 B18.00.



- Flexible sealing cover made of soft PVC, with varnished steel metal frame and fixing screws
- IP 54 protection to DIN 40050 when installed.

Order code:

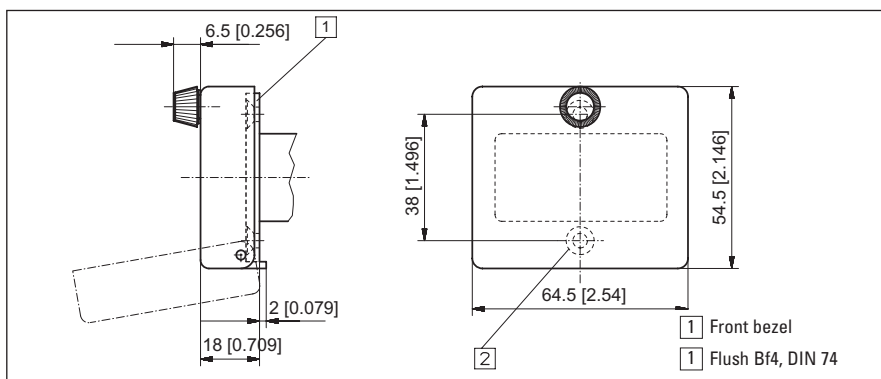
grey Art. No. G.008 300
black Art. No. G.008 301

Sealing cover

Transparent cover with key-lock 1 Dv



Suitable for counters:
H, B, HB or counters 24 x 48 mm [0.945 x 1.89"]
in bezel adapter 50 x 60 mm [1.969 x 2.363"]



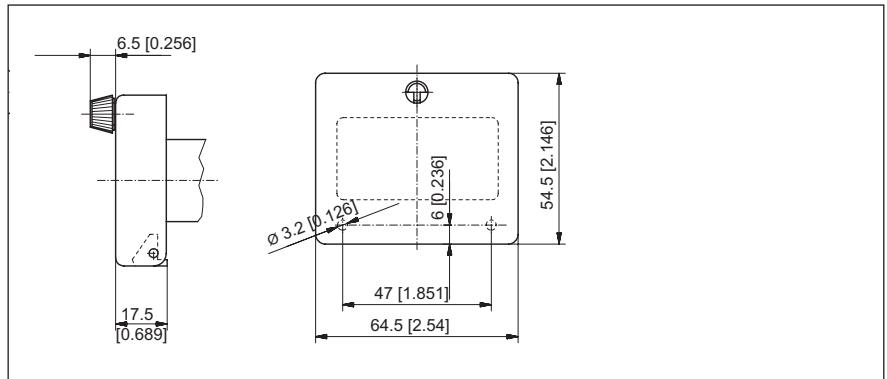
- Screw-on transparent cover, 1 Dv, with key locking for size F1
- IP 65 protection with front bezel

Order code:

grey Art. No. N.003 002

Sealing cover

Transparent cover with key-lock 1 Dv

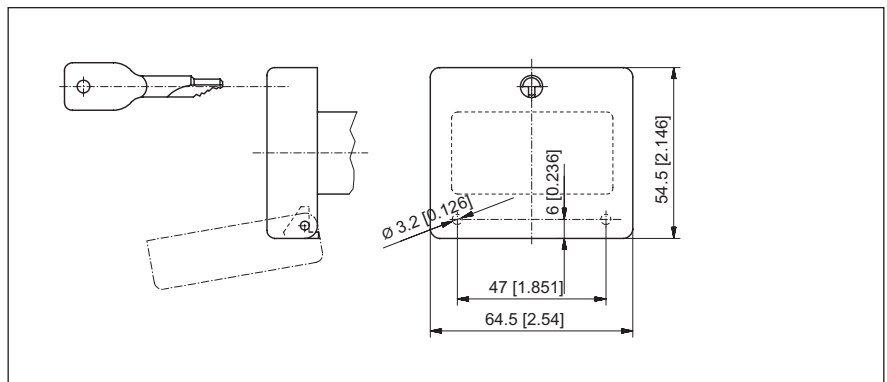


Suitable for counters:
H, B, HB or counters 24 x 48 mm [0.945 x 1.89"]
in bezel adapter 50 x 60 mm [1.969 x 2.363"]

- Screw-on transparent cover, 1 Dv, with key locking for size F1
- IP 65 protection
- With gaskets and screws

Order code:
grey Art. No. G008 121

Transparent cover with key lock 1 Dvs



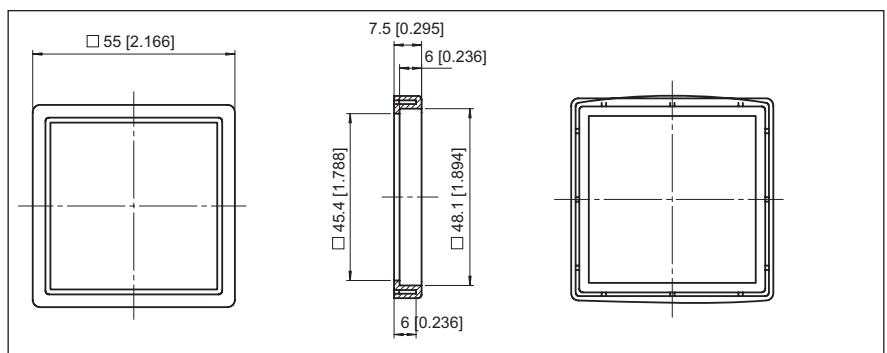
Suitable for counters:
H, B, HB or counters 24 x 48 mm [0.945 x 1.89"]
in bezel adapter 50 x 60 mm [1.969 x 2.363"]

- Screw-on transparent cover, 1 Dvs, with key locking for size F1
- IP 65 protection
- With gaskets and screws

Order code:
grey Art. No. N008 131

Bezels

Slip-on bezel 55



Suitable for counters:
715, **CODIX** 716, **CODIX** 717, 901, 903,
904, 923, 924, H57 and HC77

- Bezel adapter 55 x 55 mm [2.166 x 2.166"] for adapting cut-out 50 x 50 mm [1.969 x 1.969"] to 45 x 45 mm [1.772 x 1.772"]

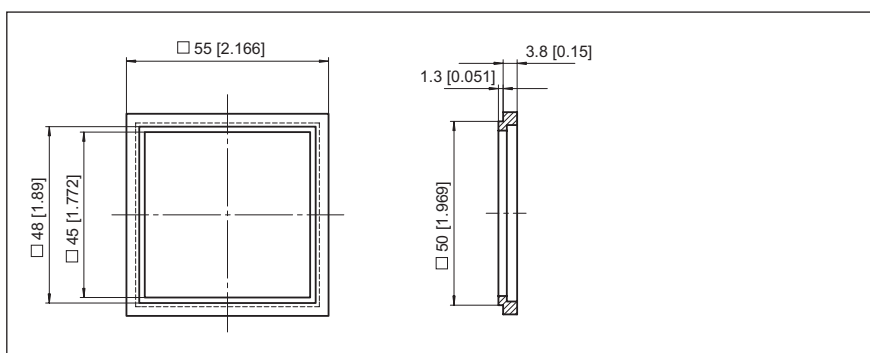
Order code:
black Art. No. T 008 171
grey Art. No. T 008 170

Bezel

Slip-on bezel 55



Suitable for counters:
901, 903, 904, 923, 924, 715,
CODIX 716/717, 910



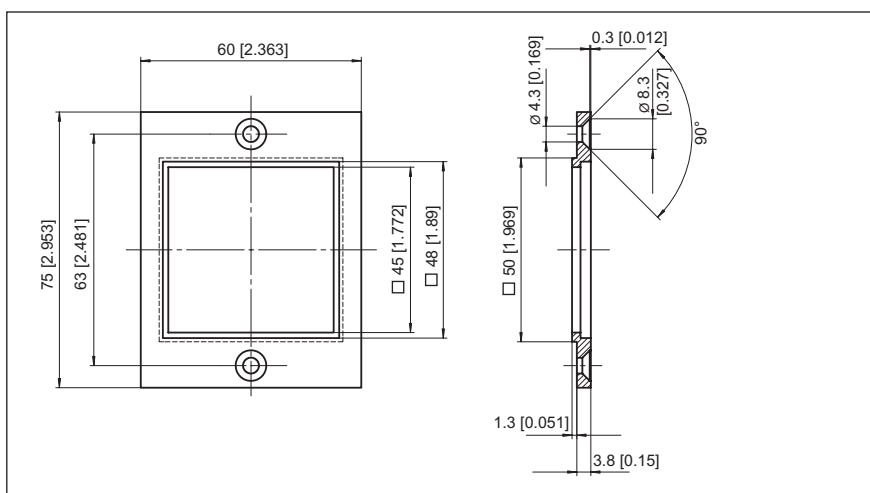
- Bezel adapter for el. counters with panel cut-out 45 x 45 mm [1.772 x 1.772"]

Order code:
black Art. No. T 008 853

Bezel adapter 45



Suitable for counters:
901, 903, 904, 923, 924, 715,
CODIX 716/717, 910



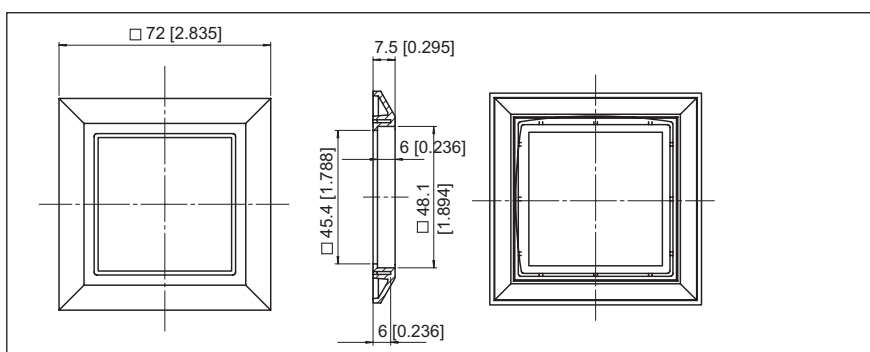
- Bezel adapter 50 x 50 mm [1.969 x 1.969"] to 45 x 45 mm [1.772 x 1.772"] for screw fixing

Order code:
black Art. No. T 008 860

Slip-on bezel 72



Suitable for counters:
715, **CODIX** 716, **CODIX** 717, 901,
903, 904, 923, 924, H57 and HC77



Order code:
black Art. No. T 008 177
grey Art. No. T 008 176

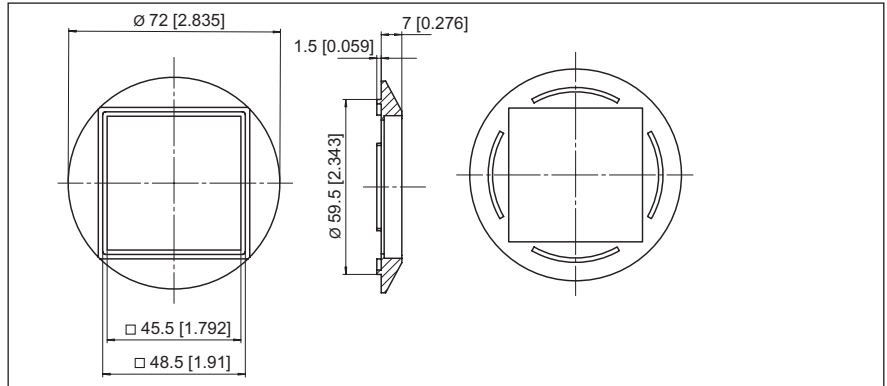
Arrester Art. No. T 009 420

Bezel

Slip-on bezel for bore \varnothing 60 [2.362"]



Suitable for counters:
715, **CODIX** 716, **CODIX** 717, 901,
903, 904, 923, 924, H57 and HC77

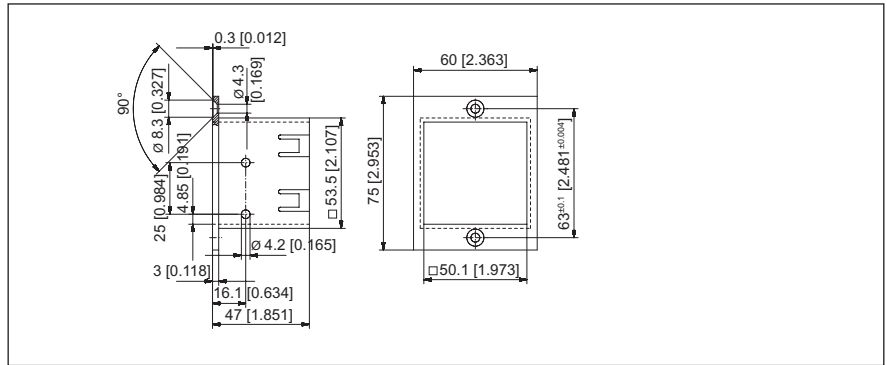


Order code:
black Art. No. N 510226

Type F2B



- Plastic front bezel F2B for counters with panel cut-out dimensions 50 x 50 mm [1.969 x 1.969"]
- Suitable for counters Hva and HB

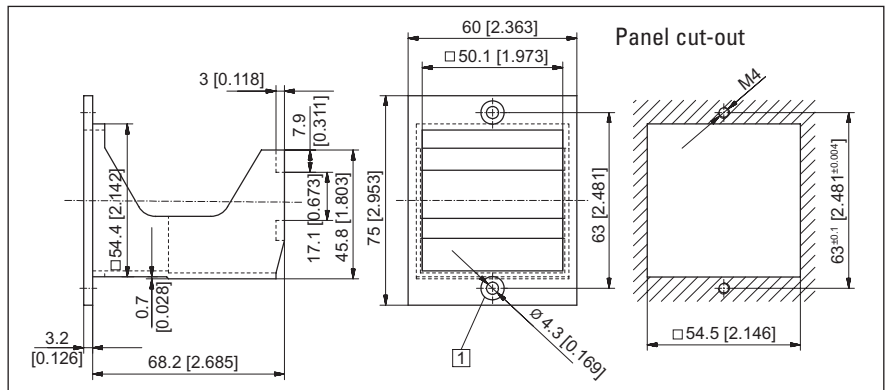


Order code:
F2B beige Art. No. G.007.503
F2B black Art. No. G.007.504

Type F2M



Suitable for counter
MVs or M

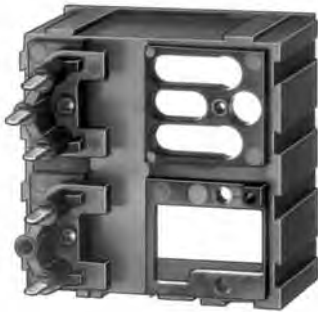


1 Flush, Bf4, DIN 74

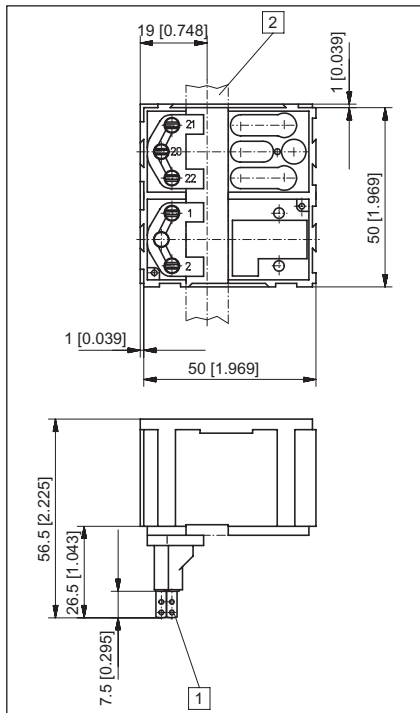
Order code:
F2M beige Art. No. T.008.105
F2M black Art. No. T.008.106

Socket boxes

Socket box 946.1



Suitable for counter: B Va



- 1 Flat pin 0.8 x 2.8 mm [0.032 x 0.11"] tin plated
- 2 Fixing strip 3 x 12 mm [0.118 x 0.473"]

Order code:
 Art. No. G.008 439

Socket boxes 926.1



Suitable for counter MVs

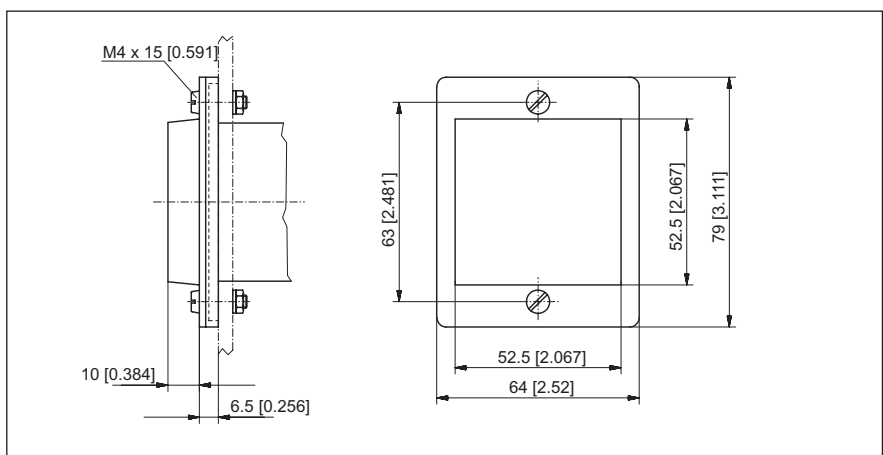
Order code:
 Art. No. G008 433

Sealing covers

Type K 2



Suitable for counters: B Va and B or el. preset counters with bezel adapter 75 x 60 mm [2.953 x 2.363"]



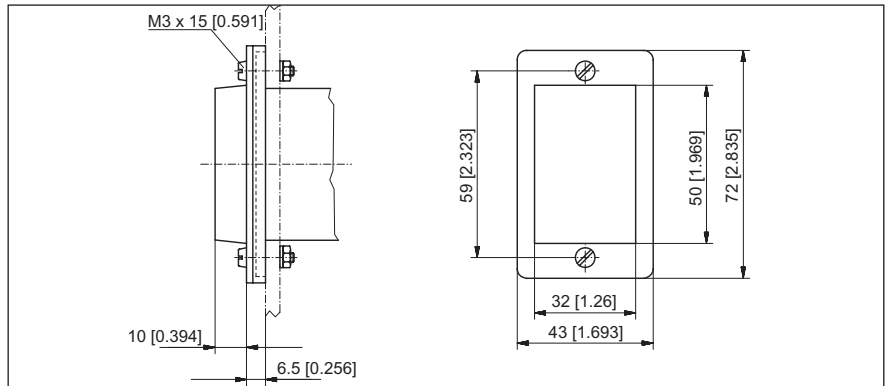
Order code:
 grey Art. No. G008302
 black Art. No. G008303

Sealing covers

Type KV3



Suitable for counter:
MVs 13



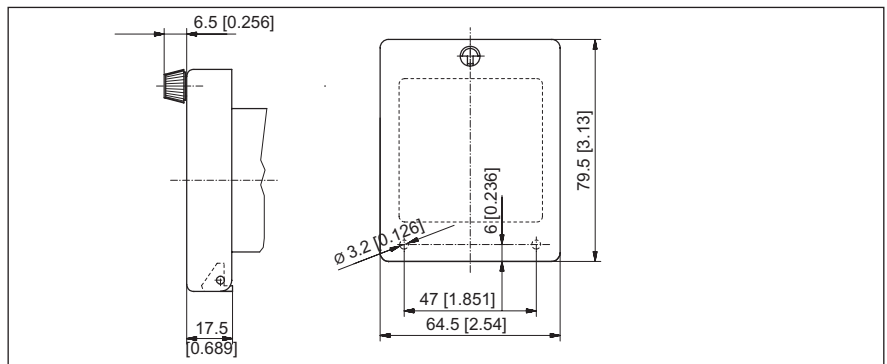
Order code:

grey	Art. No.	G008 310
black	Art. No.	G008 311

Type 2 Dv



Suitable for counters:
BVa and B or el. preset counters with
bezel adapter 75 x 60 mm [2.953 x 2.363"]



Order code:

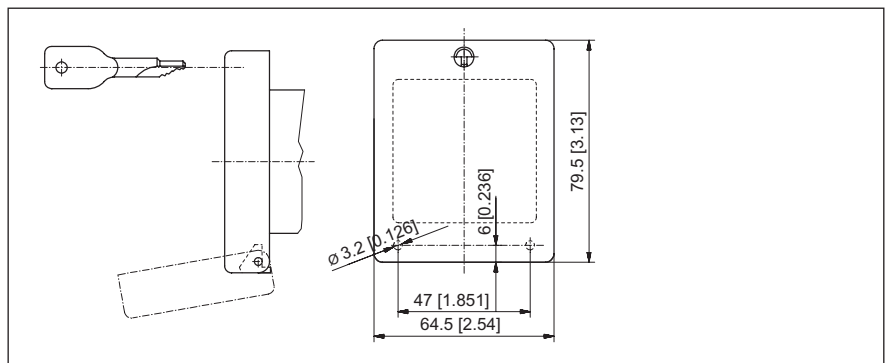
Art. No.	G008 141
----------	----------

- Screw-on transparent cover, 2 Dv, with key locking for size 2
- IP 65 protection
- With gaskets and screws

Type 2 Dvs



Suitable for counters:
BVa and B or el. preset counters with
bezel adapter 75 x 60 mm [2.953 x 2.363"]



Order code:

grey	Art. No.	G008 151
------	----------	----------

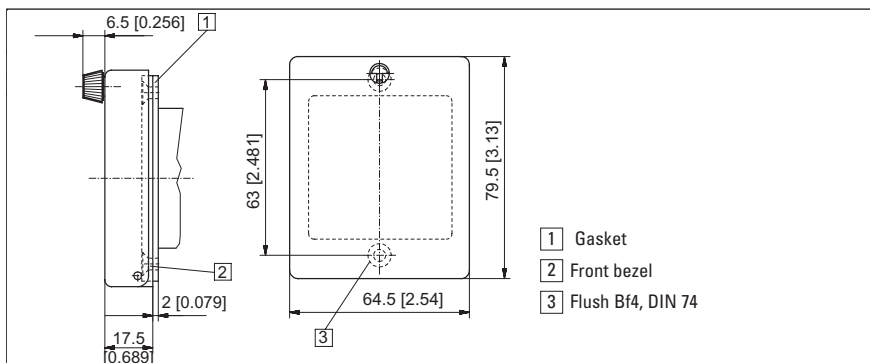
- Screw-on transparent cover, 2 Dvs, with key locking for size 2
- IP 65 protection
- With gaskets and screws

Sealing covers

Lockable transparent cover



Suitable for counter:
901, 903, 904, 923, 924, 715
codix 716/717, 910



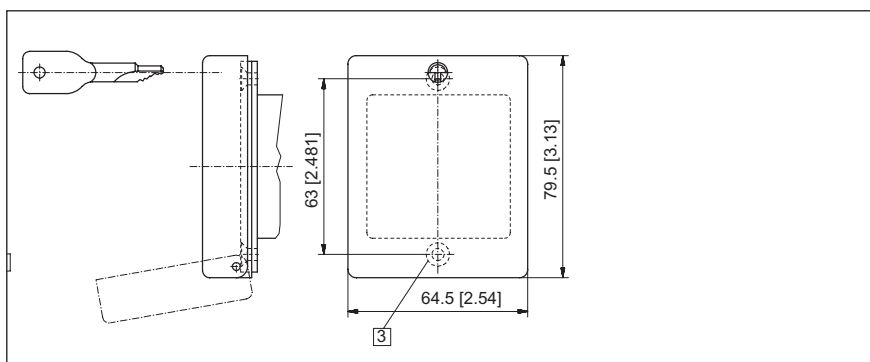
Order code:

Art. No. G008 143

Lockable transparent cover, with key



Suitable for counter:
901, 903, 904, 923, 924, 715
codix 716/717, 910



Order code:

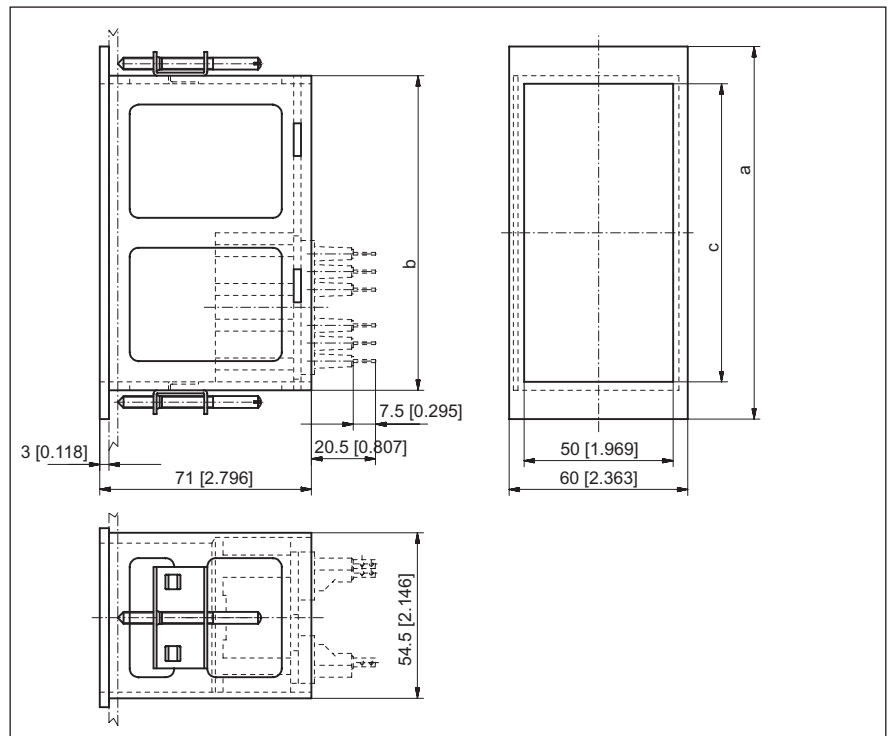
Art. No. G008153

Front bezels

Type F3B
Type F4B



Suitable for counter:
1 x BVa, 1x B, 3 x B or HVa and HB



Front bezel	a	b	c
F3B	100	80,5	75
F4B	125	105,5	100

Order code		
F3B	Art. No.	G007 506
F4B	Art. No.	G007 509

Enclosure Blind 13x

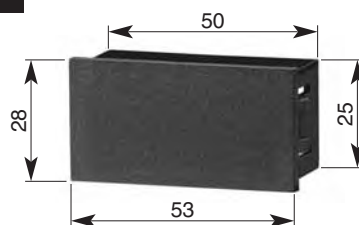
Enclosure Blind
for cut out 22,2 x 45 and 25 x
50 in Codix Design



Order code:		
Art. No.	G003 836	
with accessories		

Enclosure Blind

Enclosure Blind
for cut out 25 x 50



Order code:	
Art. No.	T005 753 black
Art. No.	T005 752 grey

Accessories

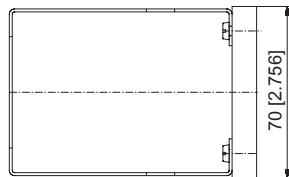
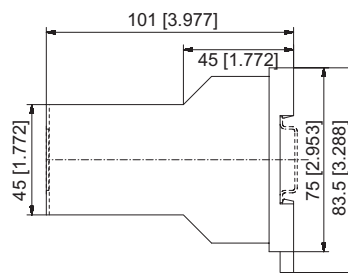
Enclosure



- For panel-mounting all counters, timers and process indicators, with DIN size 24 x 48 mm [0.945 x 1.89"] or 50 x 25 mm [1.969 x 0.984"], such as **CODIX 52X**, **CODIX 53X**, **CODIX 13X** as well as electromechanical pulse counters and hour meters, such as H37, W17.50 etc.

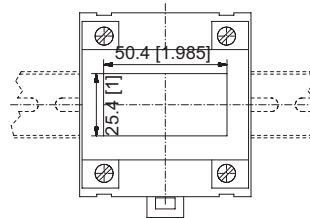
Note: when mounting the DIN 24 x 48 mm [0.945 x 1.89"] units in the enclosure, please use the 50 x 25 mm [1.969 x 0.984"] panel

Dimensions:



- adapter, which is provided with all electronic products
- Cut-out 25 x 50 mm [0.984 x 1.969"]
- For snap-on fitting to 35 mm [1.378"] top hat DIN rails
- Construction: Mounting panel for counter: chrome-plated sheet steel
Top hat DIN rail adapter: glass fibre reinforced polyamide
- Applications include, for example, control cabinets

Order code: G.300.004



Further Accessories:

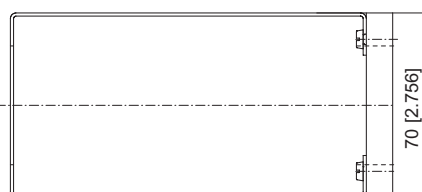
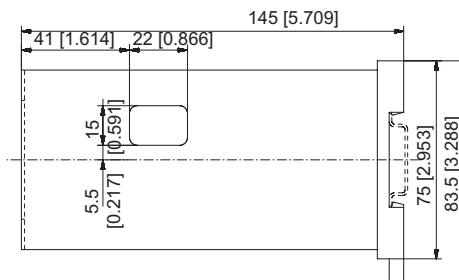
Bezel 25 x 50 mm [0.984 x 1.969"] for electromechanical counter with built-in dimension 22 x 45 mm [0.866 x 1.772"]

Order code: T.008.180



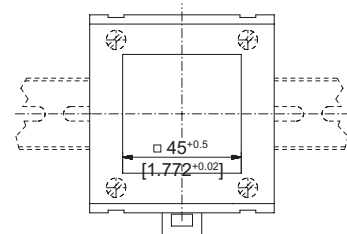
- For panel-mounting all counters and timers of DIN size 48 x 48 mm [1.89 x 1.89"], for example preset counter 715, **CODIX 716/717**, 901, 903/904, 923, 924 or time relay 910
- Cut-out □ 45 mm [1.772"]
- For snap-on fitting to 35 mm [1.378"] top hat DIN rails

Dimensions:



- Construction: Mounting panel for counter: chromate passivation sheet steel
Top hat DIN rail adapter: glass fibre reinforced polyamide
- Applications include for example control cabinets

Order code: G.300.003

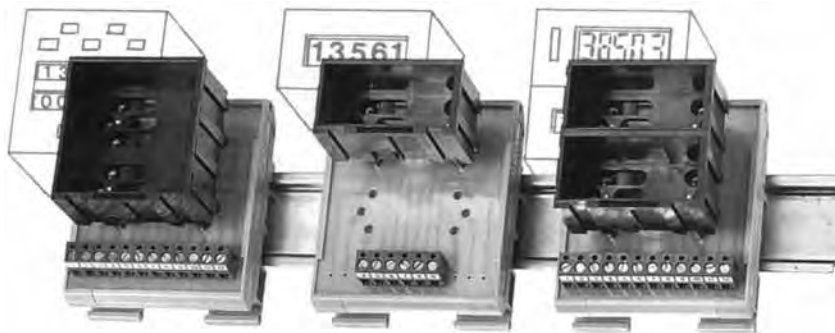


Rail mount frames SR 1, SR 2 and SR 3

Type SR 3

Type SR 1

Type SR 2



- SR1, SR2 and SR3 frames for rail mount can be snapped onto rails TS 35 x 7.5 mm [1.378 x 0.295"] and TS 35 x 15 mm [1.378 x 0.591"] as per DIN EN 50 022 respectively as per DIN EN 50 035
- Electronic and electromechanical totaliser, present counters or hour meters may be plugged into the built-in socket

Applications:

electric switch or distribution box etc.

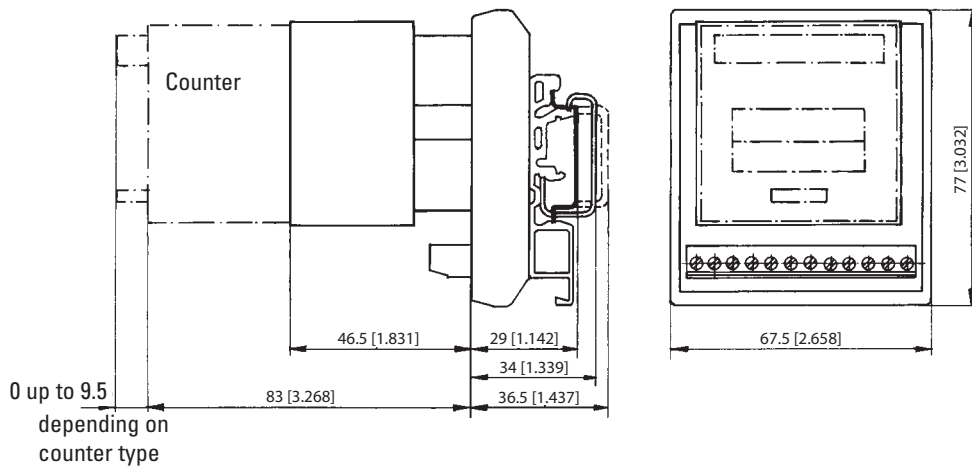
Connection:

Count mode	Type series	Frame	Counter position with SR 2 frame	Count input Terminal number
Adding counter	B 16.01, B 18.00	SR 1		7+8
		SR 2	top bottom	7+8 10+12

Order code:

- SR 1: Art.-No. G 300 000
- SR 2: Art.-No. G 300 001
- SR 3: Art.-No. G 300 002

Dimensions:

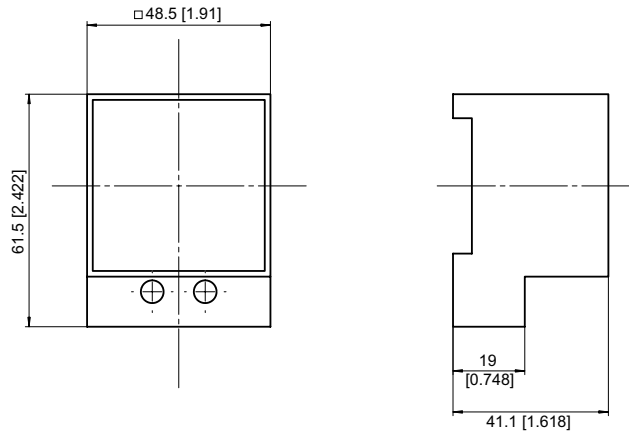


Terminal cover KA 37



Art. No. T051.687
(2-pcs. per counter required)

Add-on socket for H57, AH 57



Order code:			
black	Art.-No.	G008 040	
grey	Art.-No.	G008 041	

Overview of sealing gaskets

Art. No.	Sealing gaskets for			External dimensions (A)	Internal dimensions (B)
	Front bezel/Type	Cover	Add-on socket		
N.511003	F2 D			60 x 75 [2.363 x 2.953"]	54.4 x 54.4 [2.142 x 2.142"]
N.511004		F2 D		58 x 58 [2.284 x 2.284"]	50.2 x 50.2 [1.977 x 1.977"]
N.511005	F1 D			60 x 50 [2.363 x 1.969"]	54.4 x 29.4 [2.142 x 1.158"]
N.511006		F1 D		58 x 33 [2.284 x 1.299"]	5.2 x 25.2 [1.977 x 0.992"]
N.511011	MK 14.1 MK 16.10 HK 17.151			39 x 40 [1.536 x 1.575"]	33.3 x 22 [1.311 x 0.866"]
N.511015	H 37.2, H 37.4 HB 26.21, HB 27.00			53 x 28 [2.087 x 1.103"]	50 x 25 [1.969 x 0.984"]
N.511016	H 57.72			72 x 72 [2.835 x 2.835"]	∅ 50,5 / 45 [1.988 / 1.772"]
N.511017	H 57.55			55 x 55 [2.166 x 2.166"]	∅ 50,5 / 45 [1.988 / 1.772"]
N.511018	H 57			48 x 48 [1.89 x 1.89"]	∅ 50 / 45 [1.969 / 1.772"]
N.511019	Panel cut-out cross section 25 x 50 mm [0.984 x 1.969"] and front bezel size 3			60 x 50 [2.363 x 1.969"]	50 x 25 [1.969 x 0.984"]
N.511020	Panel cut-out cross section 50 x 50 mm [1.969 x 1.969"] and front plate size 3			60 x 75 [2.363 x 2.953"]	50 x 50 [1.969 x 1.969"]
N.511028	901 ... 904, 923, 924			48 x 48 [1.89 x 1.89"]	45 x 45 [1.772 x 1.772"]
N.511029	H 37, H 37.5, 520 ... 530			48 x 24 [1.89 x 0.945"]	45 x 22 [1.772 x 0.866"]
N.511030	HK 17.611			55 x 31.5 [2.166 x 1.286"]	37 x 24 [1.061 x 0.945"]
N.511031	54X , 55X			96 x 49 [3.78 x 1.929"]	92 x 45 [3.622 x 1.772"]
N.511033	715, 901 ... 904, 923, 924			49 x 49 [1.929 x 1.929"]	45 x 45 [1.772 x 1.772"]
N.511034	520 ... 529			49 x 25 [1.929 x 0.984"]	45 x 22 [1.772 x 0.866"]
N.511040	HK 17.251			37 x 26 [1.457 x 1.024"]	33.3 x 22 [1.311 x 0.866"]
N.511043	HK 17.451			55 x 26 [2.166 x 1.061"]	33.3 x 22 [1.311 x 0.866"]
N.511150	HR 76.1			∅ 71.1 [2.799"]	∅ 50.8 [2"]

Cross-reference Table Order Code – Type



Order code	Type	Page
0.135.100.301	HR 76.1, 115 VAC	179
0.135.100.302	HR 76.1, 230 VAC	179
0.135.100.373	HR 76.1, 10-80 VDC	179
0.135.200.301	HR 76.2, 115 VAC	179
0.135.200.302	HR 76.2, 230 VAC	179
0.135.200.373	HR 76.2, 10 - 80 VDC	179
0.166.012.830	166	118
0.167.012.000	167	119
0.168.012.000	168	119
0.170.000.351	SH 17, 10 - 27 VDC	185
0.170.000.075	SH 17, 230 VAC	185
0.180.200.000	180	120
0.180.300.000	180	120
0.570.011.E00	570	121-287
0.570.012.E90	570	121-287
0.570.012.E05	570	121-287
0.571.011.E00	571	122-144- 224-264- 286
0.571.012.E90	571	122-144- 224-264- 286
0.571.012.E05	571	122-144- 224-164- 286
0.910.010.800	910	228
1.100.200.XXX	K 04.20, DC	45
1.100.200.XXX	K 04.20, AC	45
1.100.401.XXX	K 04.40, DC	46
1.100.501.XXX	K 04.50, DC	47
1.100.800.XXX	K 04.80, DC	48
1.110.000.XXX	AK 05.00, DC	49
1.110.000.XXX	AK 05.00, AC	49
1.110.200.XXX	K 05.20, DC	45
1.110.200.XXX	K 05.20, AC	45
1.110.401.XXX	K 05.40, DC	46
1.110.501.XXX	K 05.50, DC	47
1.110.800.XXX	K 05.80, DC	48
1.120.000.XXX	AK 06.00, DC	49
1.120.000.XXX	AK 06.00, AC	49
1.120.200.XXX	K 06.20, DC	45
1.120.200.XXX	K 06.20, AC	45
1.120.401.XXX	K 06.40, DC	46
1.120.501.XXX	K 06.50, DC	47
1.120.800.XXX	K 06.80, DC	48
1.120.800.XXX	K 06.80, AC	48
1.120.900.XXX	K 06.90, DC	50
1.120.900.XXX	K 06.90, AC	50
1.120.920.XXX	K 06.92, DC	51
1.120.920.XXX	K 06.92, AC	51
1.122.101.XXX	SK 06.1, DC	53
1.122.101.XXX	SK 06.1, AC	53
1.130.000.006	AK07.00, 3VDC/0	49
1.130.000.008	AK07.00, 4.5VDC/0	49
1.130.000.012	AK07.00, 12VDC/0	49
1.130.000.032	AK07.00, 12VDC/I	49
1.130.000.033	AK07.00, 24VDC/I	49
1.130.000.051	AK07.00, 24VAC/a0	49
1.130.000.054	AK07.00, 115VAC/a0	49
1.130.000.056	AK07.00, 230VAC/a0	49
1.130.200.006	K 07.20, 3 VDC/0	45
1.130.200.008	K 07.20, 4.5 VDC/0	45

Order code	Type	Page
1.130.200.012	K 07.20, 12 VDC/0	45
1.130.200.032	K 07.20, 12 VDC/I	45
1.130.200.033	K 07.20, 24 VDC/I	45
1.130.200.051	K 07.20, 24 VAC/a0	45
1.130.200.054	K 07.20, 115 VAC/a0	45
1.130.200.056	K 07.20, 230 VAC/a0	45
1.130.401.006	K 07.40, 3 VDC/0	46
1.130.401.008	K 07.40, 4.5 VDC/0	46
1.130.401.012	K 07.40, 12 VDC/0	46
1.130.401.032	K 07.40, 12 VDC/I	46
1.130.401.033	K 07.40, 24 VDC/I	46
1.130.501.006	K 07.50, 3 VDC/0	47
1.130.501.008	K 07.50, 4.5 VDC/0	47
1.130.501.012	K 07.50, 12 VDC/0	47
1.130.501.032	K 07.50, 12 VDC/I	47
1.130.501.033	K 07.50, 24 VDC/I	47
1.130.800.006	K 07.80, 3 VDC/0	48
1.130.800.008	K 07.80, 4.5 VDC/0	48
1.130.800.012	K 07.80, 12 VDC/0	48
1.130.800.032	K 07.80, 12 VDC/I	48
1.130.800.033	K 07.80, 24 VDC/I	48
1.130.800.051	K 07.80, 24 VAC/a0	48
1.130.800.054	K 07.80, 115 VAC/a0	48
1.130.800.056	K 07.80, 230 VAC/a0	48
1.130.900.006	K 07.90, 3 VDC/0	50
1.130.900.008	K 07.90, 4.5 VDC/0	50
1.130.900.012	K 07.90, 12 VDC/0	50
1.130.900.032	K 07.90, 12 VDC/I	50
1.130.900.033	K 07.90, 24 VDC/I	50
1.130.900.051	K 07.90, 24 VAC/a0	50
1.130.900.054	K 07.90, 115 VAC/a0	50
1.130.900.056	K 07.90, 230 VAC/a0	50
1.130.920.006	K 07.92, 3 VDC/0	51
1.130.920.008	K 07.92, 4.5 VDC/0	51
1.130.920.012	K 07.92, 12 VDC/0	51
1.130.920.032	K 07.92, 12 VDC/I	51
1.130.920.033	K 07.92, 24 VDC/I	51
1.130.920.051	K 07.92, 24 VAC/a0	51
1.130.920.054	K 07.92, 115 VAC/a0	51
1.130.920.056	K 07.92, 230 VAC/a0	51
1.132.101.012	SK 07.1, 12 VDC/0	53
1.132.101.013	SK07.1, 24VDC/0,sw	53
1.132.101.032	SK 07.1, 12 VDC/I	53
1.132.101.033	SK 07.1, 24 VDC/I	53
1.132.101.051	SK 07.1, 24 VAC/a0	53
1.132.101.054	SK 07.1, 115 VAC/a0	53
1.132.101.056	SK 07.1, 230 VAC/a0	53
1.150.010.012	W 15.01, 12 VDC/0	55
1.150.010.013	W 15.01, 24 VDC/0	55
1.150.010.049	W 15.01, 12 VDC/05	55
1.150.010.050	W 15.01, 24 VDC/05	55
1.150.010.051	W 15.01, 24 VAC/a0	55
1.150.010.054	W 15.01, 115 VAC/a0	55
1.150.010.056	W 15.01, 230 VAC/a0	55
1.150.21X.012.XXX	W 15.21, 12 VDC/0	55
1.150.21X.013.XXX	W 15.21, 24 VDC/0	55
1.150.21X.049.XXX	W 15.21, 12 VDC/05	55
1.150.21X.050.XXX	W 15.21, 24 VDC/05	55
1.150.21X.051.XXX	W 15.21, 24 VAC/a0	55
1.150.21X.054.XXX	W 15.21, 115 VAC/a0	55
1.150.21X.056.XXX	W 15.21, 230 VAC/a0	55
1.150.510.XXX	W15.51, DC	56

Order code	Type	Page
1.150.510.XXX	W15.51, AC	56
1.150.910.012	W 15.91, 12 VDC/0	56
1.150.910.013	W 15.91, 24 VDC/0	56
1.150.910.049	W 15.91, 12 VDC/05	56
1.150.910.050	W 15.91, 24 VDC/05	56
1.150.910.051	W 15.91, 24 VAC/a0	56
1.150.910.054	W 15.91, 115 VAC/a0	56
1.150.910.056	W 15.91, 230 VAC/a0	56
1.152.011.012	AW 15.01, 12 VDC/0	56
1.152.011.013	AW 15.01, 24 VDC/0	56
1.152.011.049	AW 15.01, 12 VDC/05	56
1.152.011.050	AW 15.01, 24 VDC/05	56
1.152.011.051	AW 15.01, 24 VAC/a0	56
1.152.011.054	AW 15.01, 115 VAC/a0	56
1.152.011.056	AW 15.01, 230 VAC/a0	56
1.160.000.012	W 16.00, 12 VDC/0	58
1.160.000.013	W 16.00, 24 VDC/0	58
1.160.000.049	W 16.00, 12 VDC/05	58
1.160.000.050	W 16.00, 24 VDC/05	58
1.160.000.051	W 16.00, 24 VAC/a0	58
1.160.000.054	W 16.00, 115 VAC/a0	58
1.160.000.056	W 16.00, 230 VAC/a0	58
1.160.200.012	W 16.20, 12 VDC/0	58
1.160.200.013	W 16.20, 24 VDC/0	58
1.160.200.049	W 16.20, 12 VDC/05	58
1.160.200.050	W 16.20, 24 VDC/05	58
1.160.200.051	W 16.20, 24 VAC/a0	58
1.160.200.054	W 16.20, 115 VAC/a0	58
1.160.200.056	W 16.20, 230 VAC/a0	58
1.160.400.012	W 16.40, 12 VDC/0	59
1.160.400.013	W 16.40, 24 VDC/0	59
1.160.400.049	W 16.40, 12 VDC/05	59
1.160.400.050	W 16.40, 24 VDC/05	59
1.160.400.051	W 16.40, 24 VAC/a0	59
1.160.400.054	W 16.40, 115 VAC/a0	59
1.160.400.056	W 16.40, 230 VAC/a0	59
1.160.500.XXX	W16.50, DC	59
1.160.500.XXX	W16.50, AC	59
1.160.601.012	W 16.60, 12 VDC/0	60
1.160.601.013	W 16.60, 24 VDC/0	60
1.160.601.049	W 16.60, 12 VDC/05	60
1.160.601.050	W 16.60, 24 VDC/05	60
1.160.701.012	W 16.70, 12 VDC/0	60
1.160.701.013	W 16.70, 24 VDC/0	60
1.160.701.049	W 16.70, 12 VDC/05	60
1.160.701.050	W 16.70, 24 VDC/05	60
1.160.800.012	W 16.80, 12 VDC/0	61
1.160.800.013	W 16.80, 24 VDC/0	61
1.160.800.049	W 16.80, 12 VDC/05	61
1.160.800.050	W 16.80, 24 VDC/05	61
1.160.800.051	W 16.80, 24 VAC/a0	61
1.160.800.054	W 16.80, 115 VAC/a0	61
1.160.800.056	W 16.80, 230 VAC/a0	61
1.160.900.012	W 16.90, 12 VDC/0	60
1.160.900.013	W 16.90, 24 VDC/0	60
1.160.900.049	W 16.90, 12 VDC/05	60
1.160.900.050	W 16.90, 24 VDC/05	60
1.160.900.051	W 16.90, 24 VAC/a0	60
1.160.900.054	W 16.90, 115 VAC/a0	60
1.160.900.056	W 16.90, 230 VAC/a0	60
1.168.250.012	W 16.20.10, 12 VDC/0	58
1.168.250.013	W 16.20.10, 24 VDC/0	58

Order code	Type	Page
1.168.250.049	W 16.20.10, 12 VDC/05	58
1.168.250.050	W 16.20.10, 24 VDC/05	58
1.168.250.051	W 16.20.10, 24 VAC/a0	58
1.168.250.054	W 16.20.10, 115 VAC/a0	58
1.168.250.056	W 16.20.10, 230 VAC/a0	58
1.168.260.012	W 16.20.31, 12 VDC/0	59
1.168.260.013	W 16.20.31, 24 VDC/0	59
1.168.260.049	W 16.20.31, 12 VDC/05	59
1.168.260.050	W 16.20.31, 24 VDC/05	59
1.168.260.051	W 16.20.31, 24 VAC/a0	59
1.168.260.054	W 16.20.31, 115 VAC/a0	59
1.168.260.056	W 16.20.31, 230 VAC/a0	59
1.162.001.012	AW 16.00, 12 VDC/0	61
1.162.001.013	AW 16.00, 24 VDC/0	61
1.162.001.049	AW 16.00, 12 VDC/05	61
1.162.001.050	AW 16.00, 24 VDC/05	61
1.162.001.051	AW 16.00, 24 VAC/a0	61
1.162.001.054	AW 16.00, 115 VAC/a0	61
1.162.001.056	AW 16.00, 230 VAC/a0	61
1.162.800.012	AW 16.80, 12 VDC/0	61
1.162.800.013	AW 16.80, 24 VDC/0	61
1.162.810.012	AW 16.81, 12 VDC/0	61
1.162.810.013	AW 16.81, 24 VDC/0	61
1.740.500.XXX	W17.50, DC	59
1.740.500.XXX	W17.50, AC	59
1.740.800.XXX	W 17.80, DC	61
1.740.800.XXX	W 17.80, AC	61
1.740.701.XXX	W 17.90, DC	60
1.740.900.XXX	W 17.90, AC	60
1.742.800.XXX	AW 17.80, 12 DC	61
1.180.110.XXX	BK 14.11, DC	63
1.180.110.XXX	BK 14.11, AC	63
1.180.210.XXX	BK 14.21, DC	63
1.180.210.XXX	BK 14.21, AC	63
1.190.100.XXX	BK 16.10, DC	62
1.190.100.XXX	BK 16.10, AC	62
1.190.200.XXX	BK 16.20, DC	63
1.190.200.XXX	BK 16.20, AC	63
1.200.110.012	B 15.11, 12 VDC/0	69
1.200.110.013	B 15.11, 24 VDC/0	69
1.200.110.032	B 15.11, 12 VDC/I	69
1.200.110.033	B 15.11, 24 VDC/I	69
1.200.110.061	B 15.11, 24 VAC/a	69
1.200.110.064	B 15.11, 115 VAC/a	69
1.200.110.066	B 15.11, 230 VAC/a	69
1.200.210.012	B 15.21, 12 VDC/0	70
1.200.210.013	B 15.21, 24 VDC/0	70
1.200.210.032	B 15.21, 12 VDC/I	70
1.200.210.033	B 15.21, 24 VDC/I	70
1.200.210.061	B 15.21, 24 VAC/a	70
1.200.210.064	B 15.21, 115 VAC/a	70
1.200.210.066	B 15.21, 230 VAC/a	70
1.230.002.012	B 16.00, 12 VDC/0	65
1.230.002.013	B 16.00, 24 VDC/0	65
1.230.002.032	B 16.00, 12 VDC/I	65
1.230.002.033	B 16.00, 24 VDC/I	65
1.230.002.061	B 16.00, 24 VAC/a	65
1.230.002.064	B 16.00, 115 VAC/a	65
1.230.002.066	B 16.00, 230 VAC/a	65
1.230.012.012	B 16.01, 12 VDC/0	68
1.230.012.013	B 16.01, 24 VDC/0	68
1.230.012.032	B 16.01, 12 VDC/I	68

Cross-reference Table Order Code – Type



Order code	Type	Page
1.230.012.033	B 16.01, 24 VDC/I	68
1.230.012.061	B 16.01, 24 VAC/a	68
1.230.012.064	B 16.01, 115 VAC/a	68
1.230.012.066	B 16.01, 230 VAC/a	68
1.230.100.012	B 16.10, 12 VDC/O	65
1.230.100.013	B 16.10, 24 VDC/O	65
1.230.100.032	B 16.10, 12 VDC/I	65
1.230.100.033	B 16.10, 24 VDC/I	65
1.230.100.061	B 16.10, 24 VAC/a	65
1.230.100.064	B 16.10, 115 VAC/a	65
1.230.100.066	B 16.10, 230 VAC/a	65
1.230.110.012	B 16.11, 12 VDC/O	69
1.230.110.013	B 16.11, 24 VDC/O	69
1.230.110.032	B 16.11, 12 VDC/I	69
1.230.110.033	B 16.11, 24 VDC/I	69
1.230.110.061	B 16.11, 24 VAC/a	69
1.230.110.064	B 16.11, 115 VAC/a	69
1.230.110.066	B 16.11, 230 VAC/a	69
1.230.200.012	B 16.20, 12 VDC/O	66
1.230.200.013	B 16.20, 24 VDC/O	66
1.230.200.032	B 16.20, 12 VDC/I	66
1.230.200.033	B 16.20, 24 VDC/I	66
1.230.200.061	B 16.20, 24 VAC/a	66
1.230.200.064	B 16.20, 115 VAC/a	66
1.230.200.066	B 16.20, 230 VAC/a	66
1.230.210.012	B 16.21, 12 VDC/O	70
1.230.210.013	B 16.21, 24 VDC/O	70
1.230.210.032	B 16.21, 12 VDC/I	70
1.230.210.033	B 16.21, 24 VDC/I	70
1.230.210.061	B 16.21, 24 VAC/a	70
1.230.210.064	B 16.21, 115 VAC/a	70
1.230.210.066	B 16.21, 230 VAC/a	70
1.230.300.012	B 16.30, 12 VDC/O	67
1.230.300.013	B 16.30, 24 VDC/O	67
1.230.300.032	B 16.30, 12 VDC/I	67
1.230.300.033	B 16.30, 24 VDC/I	67
1.230.300.061	B 16.30, 24 VAC/a	67
1.230.300.064	B 16.30, 115 VAC/a	67
1.230.300.066	B 16.30, 230 VAC/a	67
1.230.310.012	B 16.31, 12 VDC/O	71
1.230.310.013	B 16.31, 24 VDC/O	71
1.230.310.032	B 16.31, 12 VDC/I	71
1.230.310.033	B 16.31, 24 VDC/I	71
1.230.310.061	B 16.31, 24 VAC/a	71
1.230.310.064	B 16.31, 115 VAC/a	71
1.230.310.066	B 16.31, 230 VAC/a	71
1.231.502.012	F1B 16.00, 12 VDC/O	67
1.231.502.013	F1B 16.00, 24 VDC/O	67
1.231.502.032	F1B 16.00, 12 VDC/I	67
1.231.502.033	F1B 16.00, 24 VDC/I	67
1.231.502.061	F1B 16.00, 24 VAC/a	67
1.231.502.064	F1B 16.00, 115 VAC/a	67
1.231.502.066	F1B 16.00, 230 VAC/a	67
1.231.512.012	F1B 16.01, 12 VDC/O	71
1.231.512.013	F1B 16.01, 24 VDC/O	71
1.231.512.032	F1B 16.01, 12 VDC/I	71
1.231.512.033	F1B 16.01, 24 VDC/I	71
1.231.512.061	F1B 16.01, 24 VAC/a	71
1.231.512.064	F1B 16.01, 115 VAC/a	71
1.231.512.066	F1B 16.01, 230 VAC/a	71
1.260.002.012	B 18.00, 12 VDC/O	65
1.260.002.013	B 18.00, 24 VDC/O	65

Order code	Type	Page
1.260.002.032	B 18.00, 12 VDC/I	65
1.260.002.033	B 18.00, 24 VDC/I	65
1.260.002.061	B 18.00, 24 VAC/a	65
1.260.002.064	B 18.00, 115 VAC/a	65
1.260.002.066	B 18.00, 230 VAC/a	65
1.260.100.012	B 18.10, 12 VDC/O	66
1.260.100.013	B 18.10, 24 VDC/O	66
1.260.100.032	B 18.10, 12 VDC/I	66
1.260.100.033	B 18.10, 24 VDC/I	66
1.260.100.061	B 18.10, 24 VAC/a	66
1.260.100.064	B 18.10, 115 VAC/a	66
1.260.100.066	B 18.10, 230 VAC/a	66
1.260.200.012	B 18.20, 12 VDC/O	66
1.260.200.013	B 18.20, 24 VDC/O	66
1.260.200.032	B 18.20, 12 VDC/I	66
1.260.200.033	B 18.20, 24 VDC/I	66
1.260.200.061	B 18.20, 24 VAC/a	66
1.260.200.064	B 18.20, 115 VAC/a	66
1.260.200.066	B 18.20, 230 VAC/a	66
1.260.300.012	B 18.30, 12 VDC/O	67
1.260.300.013	B 18.30, 24 VDC/O	67
1.260.300.032	B 18.30, 12 VDC/I	67
1.260.300.033	B 18.30, 24 VDC/I	67
1.260.300.061	B 18.30, 24 VAC/a	67
1.260.300.064	B 18.30, 115 VAC/a	67
1.260.300.066	B 18.30, 230 VAC/a	67
1.261.502.012	F1B 18.00, 12 VDC/O	68
1.261.502.013	F1B 18.00, 24 VDC/O	68
1.261.502.032	F1B 18.00, 12 VDC/I	68
1.261.502.033	F1B 18.00, 24 VDC/I	68
1.261.502.061	F1B 18.00, 24 VAC/a	68
1.261.502.064	F1B 18.00, 115 VAC/a	68
1.261.502.066	F1B 18.00, 230 VAC/a	68
1.310.110.XXX	MK 14.11, DC	74
1.310.110.XXX	MK 14.11, AC	74
1.310.210.XXX	MK 14.21, DC	74
1.310.210.XXX	MK 14.21, AC	74
1.330.200.XXX	MK 16.20, DC	73
1.330.200.XXX	MK 16.20, AC	73
1.340.110.XXX	MK 16.11, DC	74
1.340.110.XXX	MK 16.11, AC	74
1.340.210.XXX	MK 16.21, DC	75
1.340.210.XXX	MK 16.21, AC	75
1.340.230.XXX	MK 16.23, DC	75
1.340.230.XXX	MK 16.23, AC	75
1.360.100.XXX	MK 18.10, DC	73
1.360.100.XXX	MK 18.10, AC	73
1.360.200.XXX	MK 18.20, DC	73
1.360.200.XXX	MK 18.20, AC	73
1.520.XXX.XXX	E 16	77
1.650.200.002	K 66.20, 1.5 VDC/O	41
1.650.200.006	K 66.20, 3 VDC/O	41
1.650.200.008	K 66.20, 4.5 VDC/O	41
1.650.200.009	K 66.20, 5 VDC/O	41
1.650.200.010	K 66.20, 6 VDC/O	41
1.650.200.012	K 66.20, 12 VDC/O	41
1.650.200.013	K 66.20, 24 VDC/O	41
1.650.800.002	K 66.80, 1.5 VDC/O	41
1.650.800.006	K 66.80, 3 VDC/O	41
1.650.800.008	K 66.80, 4.5 VDC/O	41
1.650.800.009	K 66.80, 5 VDC/O	41
1.650.800.010	K 66.80, 6 VDC/O	41

Cross-reference Table Order Code – Type



Order code	Type	Page
1.650.800.012	K 66.80, 12 VDC/0	41
1.650.800.013	K 66.80, 24 VDC/0	41
1.650.900.002	K 66.90, 1.5 VDC/0	41
1.650.900.006	K 66.90, 3 VDC/0	41
1.650.900.008	K 66.90, 4.5 VDC/0	41
1.650.900.009	K 66.90, 5 VDC/0	41
1.650.900.010	K 66.90, 6 VDC/0	41
1.650.900.012	K 66.90, 12 VDC/0	41
1.650.900.013	K 66.90, 24 VDC/0	41
1.650.910.002	K 66.91, 1.5 VDC/0	42
1.650.910.006	K 66.91, 3 VDC/0	42
1.650.910.008	K 66.91, 4.5 VDC/0	42
1.650.910.009	K 66.91, 5 VDC/0	42
1.650.910.010	K 66.91, 6 VDC/0	42
1.650.910.012	K 66.91, 12 VDC/0	42
1.650.910.013	K 66.91, 24 VDC/0	42
1.650.940.002	K 66.94, 1.5 VDC/0	42
1.650.940.006	K 66.94, 3 VDC/0	42
1.650.940.008	K 66.94, 4.5 VDC/0	42
1.650.940.009	K 66.94, 5 VDC/0	42
1.650.940.010	K 66.94, 6 VDC/0	42
1.650.940.012	K 66.94, 12 VDC/0	42
1.650.940.013	K 66.94, 24 VDC/0	42
1.650.950.002	K 66.95, 1.5 VDC/0	43
1.650.950.006	K 66.95, 3 VDC/0	43
1.650.950.008	K 66.95, 4.5 VDC/0	43
1.650.950.009	K 66.95, 5 VDC/0	43
1.650.950.010	K 66.95, 6 VDC/0	43
1.650.950.012	K 66.95, 12 VDC/0	43
1.650.950.013	K 66.95, 24 VDC	43
1.660.200.002	K 67.20, 1.5 VDC/0	41
1.660.200.006	K 67.20, 3 VDC/0	41
1.660.200.008	K 67.20, 4.5 VDC/0	41
1.660.200.009	K 67.20, 5 VDC/0	41
1.660.200.010	K 67.20, 6 VDC/0	41
1.660.200.012	K 67.20, 12 VDC/0	41
1.660.200.013	K 67.20, 24 VDC/0	41
1.660.800.002	K 67.80, 1.5 VDC/0	41
1.660.800.006	K 67.80, 3 VDC/0	41
1.660.800.008	K 67.80, 4.5 VDC/0	41
1.660.800.009	K 67.80, 5 VDC/0	41
1.660.800.010	K 67.80, 6 VDC/0	41
1.660.800.012	K 67.80, 12 VDC/0	41
1.660.800.013	K 67.80, 24 VDC/0	41
1.660.900.002	K 67.90, 1.5 VDC/0	41
1.660.900.006	K 67.90, 3 VDC/0	41
1.660.900.008	K 67.90, 4.5 VDC/0	41
1.660.900.009	K 67.90, 5 VDC/0	41
1.660.900.010	K 67.90, 6 VDC/0	41
1.660.900.012	K 67.90, 12 VDC/0	41
1.660.900.013	K 67.90, 24 VDC/0	41
1.660.910.002	K 67.91, 1.5 VDC/0	42
1.660.910.006	K 67.91, 3 VDC/0	42
1.660.910.008	K 67.91, 4.5 VDC/0	42
1.660.910.009	K 67.91, 5 VDC/0	42
1.660.910.010	K 67.91, 6 VDC/0	42
1.660.910.012	K 67.91, 12 VDC/0	42
1.660.910.013	K 67.91, 24 VDC/0	42
1.700.200.002	K 46.20, 1.5 VDC/0	36
1.700.200.006	K 46.20, 3 VDC/0	36
1.700.200.008	K 46.20, 4.5 VDC/0	36
1.700.200.009	K 46.20, 5 VDC/0	36

Order code	Type	Page
1.700.200.010	K 46.20, 6 VDC/0	36
1.700.200.012	K 46.20, 12 VDC/0	36
1.700.200.013	K 46.20, 24 VDC/0	36
1.700.800.002	K 46.80, 1.5 VDC/0	37
1.700.800.006	K 46.80, 3 VDC/0	37
1.700.800.008	K 46.80, 4.5 VDC/0	37
1.700.800.009	K 46.80, 5 VDC/0	37
1.700.800.010	K 46.80, 6 VDC/0	37
1.700.800.012	K 46.80, 12 VDC/0	37
1.700.800.013	K 46.80, 24 VDC/0	37
1.700.900.002	K 46.90, 1.5 VDC/0	37
1.700.900.006	K 46.90, 3 VDC/0	37
1.700.900.008	K 46.90, 4.5 VDC/0	37
1.700.900.009	K 46.90, 5 VDC/0	37
1.700.900.010	K 46.90, 6 VDC/0	37
1.700.900.012	K 46.90, 12 VDC/0	37
1.700.900.013	K 46.90, 24 VDC/0	37
1.700.910.002	K 46.91, 1.5 VDC/0	38
1.700.910.006	K 46.91, 3 VDC/0	38
1.700.910.008	K 46.91, 4.5 VDC/0	38
1.700.910.009	K 46.91, 5 VDC/0	38
1.700.910.010	K 46.91, 6 VDC/0	38
1.700.910.012	K 46.91, 12 VDC/0	38
1.700.910.013	K 46.91, 24 VDC/0	38
1.700.940.002	K 46.94, 1.5 VDC/0	38
1.700.940.006	K 46.94, 3 VDC/0	38
1.700.940.008	K 46.94, 4.5 VDC/0	38
1.700.940.009	K 46.94, 5 VDC/0	38
1.700.940.010	K 46.94, 6 VDC/0	38
1.700.940.012	K 46.94, 12 VDC/0	38
1.700.940.013	K 46.94, 24 VDC/0	38
1.700.950.002	K 46.95, 1.5 VDC/0	39
1.700.950.006	K 46.95, 3 VDC/0	39
1.700.950.008	K 46.95, 4.5 VDC/0	39
1.700.950.009	K 46.95, 5 VDC/0	39
1.700.950.010	K 46.95, 6 VDC/0	39
1.700.950.012	K 46.95, 12 VDC/0	39
1.700.950.013	K 46.95, 24 VDC/0	39
1.710.200.002	K 47.20, 1.5 VDC/0	36
1.710.200.006	K 47.20, 3 VDC/0	36
1.710.200.008	K 47.20, 4.5 VDC/0	36
1.710.200.009	K 47.20, 5 VDC/0	36
1.710.200.010	K 47.20, 6 VDC/0	36
1.710.200.012	K 47.20, 12 VDC/0	36
1.710.200.013	K 47.20, 24 VDC/0	36
1.710.800.002	K 47.80, 1.5 VDC/0	37
1.710.800.006	K 47.80, 3 VDC/0	37
1.710.800.008	K 47.80, 4.5 VDC/0	37
1.710.800.009	K 47.80, 5 VDC/0	37
1.710.800.010	K 47.80, 6 VDC/0	37
1.710.800.012	K 47.80, 12 VDC/0	37
1.710.800.013	K 47.80, 24 VDC/0	37
1.710.900.002	K 47.90, 1.5 VDC/0	37
1.710.900.006	K 47.90, 3 VDC/0	37
1.710.900.008	K 47.90, 4.5 VDC/0	37
1.710.900.009	K 47.90, 5 VDC/0	37
1.710.900.010	K 47.90, 6 VDC/0	37
1.710.900.012	K 47.90, 12 VDC/0	37
1.710.900.013	K 47.90, 24 VDC/0	37
1.710.910.002	K 47.91, 1.5 VDC/0	38
1.710.910.006	K 47.91, 3 VDC/0	38
1.710.910.008	K 47.91, 4.5 VDC/0	38

Cross-reference Table Order Code – Type



Order code	Type	Page
1.710.910.009	K 47.91, 5 VDC/0	38
1.710.910.010	K 47.91, 6 VDC/0	38
1.710.910.012	K 47.91, 12 VDC/0	38
1.710.910.013	K 47.91, 24 VDC/0	38
1.944.X00.XXX	KWH 17	82
1.944.X01.XXX	KWH 17	82
2.100.011.033	BVa 15.01, 24 VDC/I	146
2.100.011.061	BVa 15.01, 24 VAC/a	146
2.100.011.064	BVa 15.01, 115 VAC/a	146
2.100.011.066	BVa 15.01, 230 VAC/a	146
2.100.110.033	BVa 15.11, 24 VDC/I	146
2.100.110.061	BVa 15.11, 24 VAC/a	146
2.100.110.064	BVa 15.11, 115 VAC/a	146
2.100.110.066	BVa 15.11, 230 VAC/a	146
2.100.210.033	BVa 15.21, 24 VDC/I	147
2.100.210.061	BVa 15.21, 24 VAC/a	147
2.100.210.064	BVa 15.21, 115 VAC/a	147
2.100.210.066	BVa 15.21, 230 VAC/a	147
2.100.310.033	BVa 15.31, 24 VDC/I	147
2.100.310.061	BVa 15.31, 24 VAC/a	147
2.100.310.064	BVa 15.31, 115 VAC/a	147
2.100.310.066	BVa 15.31, 230 VAC/a	147
2.120.011.033	BVa 15.01/3, 24 VDC/I	146
2.120.011.061	BVa 15.01/3, 24 VAC/a	146
2.120.011.064	BVa 15.01/3, 115 VAC/a	146
2.120.011.066	BVa 15.01/3, 230 VAC/a	146
2.120.110.033	BVa 15.11/3, 24 VDC/I	146
2.120.110.061	BVa 15.11/3, 24 VAC/a	146
2.120.110.064	BVa 15.11/3, 115 VAC/a	146
2.120.110.066	BVa 15.11/3, 230 VAC/a	146
2.120.210.033	BVa 15.21/3, 24 VDC/I	147
2.120.210.061	BVa 15.21/3, 24 VAC/a	147
2.120.210.064	BVa 15.21/3, 115 VAC/a	147
2.120.210.066	BVa 15.21/3, 230 VAC/a	147
2.120.310.033	BVa 15.31/3, 24 VDC/I	147
2.120.310.061	BVa 15.31/3, 24 VAC/a	147
2.120.310.064	BVa 15.31/3, 115 VAC/a	147
2.120.310.066	BVa 15.31/3, 230 VAC/a	147
2.300.110.033	MVs 13.11, 24 VDC/I	150
2.300.110.061	MVs 13.11, 24 VAC/a	150
2.300.110.064	MVs 13.11, 115 VAC/a	150
2.300.110.066	MVs 13.11, 230 VAC/a	150
2.300.130.033	MVs 13.13, 24 VDC/I	151
2.300.130.061	MVs 13.13, 24 VAC/a	151
2.300.130.064	MVs 13.13, 115 VAC/a	151
2.300.130.066	MVs 13.13, 230 VAC/a	151
2.300.210.033	MVs 13.21, 24 VDC/I	150
2.300.210.061	MVs 13.21, 24 VAC/a	150
2.300.210.064	MVs 13.21, 115 VAC/a	150
2.300.210.066	MVs 13.21, 230 VAC/a	150
2.300.230.033	MVs 13.23, 24 VDC/I	151
2.300.230.061	MVs 13.23, 24 VAC/a	151
2.300.230.064	MVs 13.23, 115 VAC/a	151
2.300.230.066	MVs 13.23, 230 VAC/a	151
2.310.110.033	MVs 13.11/2, 24 VDC/I	150
2.310.110.061	MVs 13.11/2, 24 VAC/a	150
2.310.110.064	MVs 13.11/2, 115 VAC/a	150
2.310.110.066	MVs 13.11/2, 230 VAC/a	150
2.310.130.033	MVs 13.13/2, 24 VDC/I	151
2.310.130.061	MVs 13.13/2, 24 VAC/a	151
2.310.130.064	MVs 13.13/2, 115 VAC/a	151
2.310.130.066	MVs 13.13/2, 230 VAC/a	151

Order code	Type	Page
2.310.210.033	MVs 13.21/2, 24 VDC/I	150
2.310.210.061	MVs 13.21/2, 24 VAC/a	150
2.310.210.064	MVs 13.21/2, 115 VAC/a	150
2.310.210.066	MVs 13.21/2, 230 VAC/a	150
2.310.230.033	MVs 13.23/2, 24 VDC/I	151
2.310.230.061	MVs 13.23/2, 24 VAC/a	151
2.310.230.064	MVs 13.23/2, 115 VAC/a	151
2.310.230.066	MVs 13.23/2, 230 VAC/a	151
2.320.030.033	MVs 16.03, 24 VDC/I	154
2.320.030.061	MVs 16.03, 24 VAC/a	154
2.320.030.064	MVs 16.03, 115 VAC/a	154
2.320.030.066	MVs 16.03, 230 VAC/a	154
2.320.110.033	MVs 16.11, 24 VDC/I	153
2.320.110.061	MVs 16.11, 24 VAC/a	153
2.320.110.064	MVs 16.11, 115 VAC/a	153
2.320.110.066	MVs 16.11, 230 VAC/a	153
2.320.210.033	MVs 16.21, 24 VDC/I	153
2.320.210.061	MVs 16.21, 24 VAC/a	153
2.320.210.064	MVs 16.21, 115 VAC/a	153
2.320.210.066	MVs 16.21, 230 VAC/a	153
2.320.230.033	MVs 16.23, 24 VDC/I	154
2.320.230.061	MVs 16.23, 24 VAC/a	154
2.320.230.064	MVs 16.23, 115 VAC/a	154
2.320.230.066	MVs 16.23, 230 VAC/a	154
3.050.2XX.383	HK46.20, 4.5 - 35 VDC	158
3.050.8XX.383	HK46.80, 4.5 - 35 VDC	158
3.060.2XX.383	HK47.20, 4.5 - 35 VDC	158
3.060.8XX.383	HK47.80, 4.5 - 35 VDC	158
3.100.000.383	AHK 07.00, 4.5 - 35 VDC	161
3.100.200.383	HK 07.20, 4.5 - 35 VDC	159
3.100.401.383	HK 07.40, 4.5 - 35 VDC	160
3.100.500.383	HK 07.50, 4.5 - 35 VDC	160
3.100.800.383	HK 07.80, 4.5 - 35 VDC	162
3.100.900.383	HK 07.90, 4.5 - 35 VDC	161
3.100.910.383	HK 07.91, 4.5 - 35 VDC	160
3.100.920.383	HK 07.92, 4.5 - 35 VDC	161
3.104.401.383	HK 07.40 D, 4.5 - 35 VDC	163
3.104.500.383	HK 07.50 D, 4.5 - 35 VDC	164
3.104.900.383	HK 07.90 D, 4.5 - 35 VDC	164
3.104.910.383	HK 07.91 D, 4.5 - 35 VDC	164
3.102.101.XXX	SHK 07.1, AC/DC	165
3.130.051.XXX	HK 17.051.39, AC/DC	168
3.130.151.XXX	HK 17.151.39, AC/DC	167
3.130.251.XXX	HK 17.251.39, AC/DC	167
3.130.251.XXX.056	HK 17.251.56, AC/DC	168
3.130.451.XXX	HK 17.451.39, AC/DC	167
3.130.511.XXX	HK 17.511, AC/DC	169
3.130.611.XXX	HK 17.611, AC/DC	169
3.160.111.XXX	HB 26.11, DC	180
3.160.111.XXX	HB 26.11, AC	180
3.160.211.XXX	HB 26.21, DC	181
3.160.211.XXX	HB 26.21, AC	181
3.160.311.XXX	HB 26.31, DC	181
3.160.311.XXX	HB 26.31, AC	181
3.160.611.XXX	K1HB 26.31, DC	182
3.160.611.XXX	K1HB 26.31, AC	182
3.160.711.XXX	DvHB 26.31, DC	182
3.160.711.XXX	DvHB 26.31, AC	182
3.160.811.XXX	DvsHB 26.31, DC	182
3.160.811.XXX	DvsHB 26.31, AC	182
3.165.011.XXX	HB 26.01.3, DC	181
3.165.011.XXX	HB 26.01.3, AC	181

Cross-reference Table Order Code – Type



Order code	Type	Page
3.200.XXX.XXX	HB 27.XX, DC	183-184
3.200.XXX.XXX	HB 27.XX, AC	183-184
3.220.401.XXX	H 57, DC	175
3.220.401.XXX	H 57, AC	175
3.221.401.XXX	H 57.55, DC	175
3.221.401.XXX	H 57.55, AC	175
3.222.401.XXX	H 57.72, DC	175
3.222.401.XXX	H 57.72, AC	175
3.223.401.XXX	AH 57, DC	176
3.223.401.XXX	AH 57, AC	176
3.22S.401.XXX	H 57S, DC	178
3.22S.401.XXX	H 57S, AC	178
3.240.XXX.XXX	H 37, DC	170
3.240.XXX.XXX	H 37, AC	170
3.241.XXX.XXX	H 37.1, DC	171
3.241.XXX.XXX	H 37.1, AC	171
3.242.XXX.XXX	H 37.2, DC	171
3.242.XXX.XXX	H 37.2, AC	171
3.244.XXX.XXX	H 37.4, DC	171
3.244.XXX.XXX	H 37.4, AC	161
3.245.201.XXX	H 37.5, 10-30 VDC	172
3.245.201.XXX	H 37.5, 187-264 VAC	172
3.24S.XXX.XXX	H 37S, DC	174
3.24S.XXX.XXX	H 37S, AC	174
3.300.XXX.XXX	HVa 15.X1, DC	225-226-227
3.300.XXX.XXX	HVa 15.X1, AC	225-226-227
3.550.401.XXX	HC 77, DC	84-187
3.550.401.XXX	HC 77, AC	84-187
3.551.401.XXX	HC 77.55, DC	84-187
3.551.401.XXX	HC 77.55, AC	84-187
3.552.401.XXX	HC 77.72, DC	84-187
3.552.401.XXX	HC 77.72, AC	84-187
3.553.401.XXX	SHC 77, DC	85-188
3.553.401.XXX	SHC 77, AC	85-188
3.553.401.XXX.060	SHC 77.60, DC	85-188
3.553.401.XXX.060	SHC 77.60, AC	85-188
3.563.201.074	HW 66, 115 VAC	86-189
3.563.201.075	HW 66, 230 VAC	86-189
3.802.X10	PMK 14.X1, grey	78-79
3.802.X11	PMK 14.X1, black	78-79
3.804.X10	PMK 16.X1, grey	79
3.804.X11	PMK 16.X1, black	79
3.805.X00	PMK 18.X0, grey	80
3.805.X01	PMK 18.X0, black	80
6.190.012.XXX	190	116
6.192.012.300	192	117
6.194.012.XXX	194	194
6.198.012.300	198	195
6.130.012.850	CODIX 130	89
6.130.012.852	CODIX 130	89
6.130.012.853	CODIX 130	89
6.130.012.860	CODIX 130	89
6.130.012.862	CODIX 130	89
6.130.012.863	CODIX 130	89
6.131.012.850	CODIX 131	91
6.131.012.851	CODIX 131	91
6.131.012.853	CODIX 131	91
6.131.012.860	CODIX 131	91
6.131.012.861	CODIX 131	91
6.131.012.863	CODIX 131	91

Order code	Type	Page
6.132.012.853	CODIX 132	93
6.132.012.863	CODIX 132	93
6.133.012.850	CODIX 133	95-267
6.133.012.851	CODIX 133	95-267
6.133.012.860	CODIX 133	95-267
6.133.012.861	CODIX 133	95-267
6.134.012.850	CODIX 134	191
6.134.012.851	CODIX 134	191
6.134.012.853	CODIX 134	180
6.134.012.860	CODIX 134	191
6.134.012.861	CODIX 134	191
6.134.012.863	CODIX 134	191
6.135.012.850	CODIX 135	191
6.135.012.851	CODIX 135	193
6.135.012.853	CODIX 135	193
6.135.012.860	CODIX 135	193
6.135.012.861	CODIX 135	193
6.135.012.863	CODIX 135	193
6.136.012.850	CODIX 136	231
6.136.012.851	CODIX 136	231
6.136.012.860	CODIX 136	231
6.136.012.861	CODIX 136	231
6.520.012.300	CODIX 520	97
6.521.011.300	CODIX 521	99-269
6.521.012.300	CODIX 521	99-269
6.522.011.300	CODIX 522	233
6.522.012.300	CODIX 522	233
6.523.011.300	CODIX 523	197
6.523.012.300	CODIX 523	197
6.524.011.300	CODIX 524	101-199-235-271
6.524.012.300	CODIX 524	101-199-235-271
6.52U.012.300	CODIX 52U	103-201-237
6.52P.012.300	CODIX 52P	100-222-252
6.540.012.X00	CODIX 540	107
6.541.011.X00	CODIX 541	109-275
6.541.012.X00	CODIX 541	109-275
6.542.011.X00	CODIX 542	241
6.542.012.X00	CODIX 542	241
6.543.011.X00	CODIX 543	203
6.543.012.X00	CODIX 543	203
6.544.011.X00	CODIX 544	111-205-243-277
6.544.012.X00	CODIX 544	111-205-243-277
6.54U.012.X00	CODIX 54U	113-207-245
6.54P.012.X00	CODIX 54P	115-247-279
6.715.010.000	715	139-219-259
6.715.010.100	715	139-219-259
6.715.010.300	715	139-219-259
6.715.011.000	715	139-219-259
6.715.011.100	715	139-219-259

Cross-reference Table Order Code – Type

Order code	Type	Page
6.715.011.300	715	139-219-259
6.716.01X.000	Type 716/717 and 717 EX	143-223-263
6.716.01X.005	Type 716/717 and 717 EX	143-223-263
6.716.01X.006	Type 716/717 and 717 EX	143-223-263
6.716.01X.007	Type 716/717 and 717 EX	143-223-263
6.716.01X.300	Type 716/717 and 717 EX	143-223-263
6.716.01X.305	Type 716/717 and 717 EX	143-223-263
6.716.01X.306	Type 716/717 and 717 EX	143-223-263
6.716.01X.307	Type 716/717 and 717 EX	143-223-263
6.717.01X.000	Type 716/717 and 717 EX	143-223-263
6.717.01X.005	Type 716/717 and 717 EX	143-223-263
6.717.01X.006	Type 716/717 and 717 EX	143-223-263
6.717.01X.007	Type 716/717 and 717 EX	143-223-263
6.717.01X.300	Type 716/717 and 717 EX	143-223-263
6.717.01X.305	Type 716/717 and 717 EX	143-223-263
6.717.01X.306	Type 716/717 and 717 EX	143-223-263
6.717.01X.307	Type 716/717 and 717 EX	143-223-263
6.717.010.X00Ex	Type 716/717 and 717 EX	143-223-263
6.901.010.800	901	127
6.903.010.000	903	136-216-256
6.903.010.300	903	136-216-256
6.903.011.000	903	136-215-256
6.903.011.300	903	135-216-256
6.904.010.000	904	136-216-256
6.904.010.300	904	136-216-256
6.904.011.000	904	136-216-256
6.904.011.300	904	136-216-256
6.903.010.010	903	136-216-256
6.903.010.310	903	136-216-256
6.903.011.010	903	136-216-256
6.903.011.310	903	136-216-256

Order code	Type	Page
6.904.010.010	904	136-216-256
6.904.010.310	904	136-216-256
6.904.011.010	904	136-216-256
6.904.011.310	904	136-216-256
6.923.01XX.0X0	923/924	129-209-249-281
6.923.01XX.3X0	923/924	129-209-249-281
6.924.01XX.000	923/924	129-209-249-281
6.924.01XX.300	923/924	129-209-249-281
G.003.836		303
G.007.501	Front bezel F1B, beige	295
G.007.502	Front bezel F1B, black	295
G.007.503	Front bezel F2B, beige	299
G.007.504	Front bezel F2B, black	299
G.007.505	Front bezel F3B, aluminium-coloured	303
G.007.506	Front bezel F3B, black	303
G.007.507	Front bezel F3B, beige	303
G.007.508	Front bezel F4B, aluminium-coloured	303
G.007.509	Front bezel F4B, black	303
G.007.510	Front bezel F4B, beige	303
G.008.040	Add-on socket No. 48, black	306
G.008.041	Add-on socket No. 48, grey	306
G.008.121	Sealing cover, lockable above 1 Dv	297
G.008.141	Sealing cover, Typ 2 Dv	301
G.008.143	Sealing cover, lockable	302
G.008.151	Sealing cover, with key-lock Type 2 Dvs	301
G.008.153	Sealing cover, with key-lock	302
G.008.300	Sealing cover K1, grey	296
G.008.301	Flexible sealing cover K1	296
G.008.301	Sealing cover K1, black	296
G.008.302	Sealing cover K2, grey	300
G.008.303	Sealing cover K2, black	300
G.008.310	Sealing cover, Typ KV 3, grey	301
G.008.311	Sealing cover, Typ KV 3, black	301
G.008.433	Socket box 926.1	300
G.008.434	Socket box 945.2	296
G.008.439	Socket box 946.1	300
G.300.000	Rail mount frame SR 1	305
G.300.001	Rail mount frame SR 2	305
G.300.002	Rail mount frame SR 3	305
G.300.003	Rail mount frame for 35 mm DIN-rail, cut-out 48 x 48 mm	304
G.300.004	Rail mount enclosure for 35 mm DIN-rail, cut-out 25 x 50 mm	304
162704	Bezel adapter for cut-out 68 x 33 mm	294
N.003.001	Bezel adapter for cut-out 29 x 55 mm	295
N.003.002	Sealing cover, lockable below 1 Dv	296
N.008.131	Sealing cover, with key-lock 1 Dvs	297
N.140.076	RS 232 interface cable to the counter	293

Cross-reference Table Order Code – Type



Order code	Type	Page
N.150.080	EzControl Software on CD	293
N.150.002	RS232 <=> RS485/422 interface converter with power supply and cable to the counter	293
N.150.003	RS232 <=> RS485/422 interface converter – US version – with power supply and cable to the counter	293
N.510.226	Slip-on bezel for bore ø 60	299
N.511.011	Sealing gasket HK 17.151 (31 x 40)	306
N.511.018	Sealing gasket 48 x 48 für z.B. H57	306
N.511.015	Sealing gasket H 37.2 (53 x 29)	306
N.511.016	Sealing gasket 72 x 72 for e. g. H57	306
N.511.017	Sealing gasket 55 x 55 for e. g. H57	306
N.511.003	Sealing gasket F2D	306
N.511.004	Sealing gasket Dv/Dvs	306
N.511.005	Sealing gasket F1D	306
N.511.006	Sealing gasket Dv/Dvs narrow	306
N.511.007	Sealing gasket AMK16	306
N.511.010	Sealing gasket ALMK16	306
N.511.011	Sealing gasket MK/HK	306
N.511.033	Sealing gasket 715, 901..904	306
N.511.034	Sealing gasket 520 ...529	306
T.005.752	Enclosure, blind 25 x 50mm, grey	303
T.005.753	Enclosure, blind 25 x 50mm, black	303
T.008.105	Front bezel F2M, grey	299
T.008.106	Front bezel F2M, black	299
T.008.160	Slip-on bezel 37.1, grey	294
T.008.161	Slip-on bezel 37.1, black	294
T.008.164	Slip-on bezel 37.2, grey	294
T.008.165	Slip-on bezel 37.2, black	294
T.008.170	Slip-on bezel 55, grey	297
T.008.171	Slip-on bezel 55, black	297
T.008.176	Slip-on bezel 72, grey	298
T.008.177	Slip-on bezel 72, black	298
T.008.180	Bezel adapter from 22 x 45 mm to 25 x 50 mm	294
T.008.853	Slip-on bezel 55	298
T.008.860	Bezel adapter 45	298
T.008.883	Sealing cover	295
T.009.420	Slip on bezel 72, arrester	298
T.051.687	Terminal cover KA 37	305

