










Accessories

Encoder mounting attachments		Fixing components for shaft encoders				Overview					
Fig.	Description	Order-No.	Details s. page	Incremental Encoders			Abs. Singleturn Encoders		Abs. Multiturn Encoders		
				5000	5803, 5804, 5805	7030	5853, 5858	5850, 5852	7053, 7058, 7031	5863, 5868	5862, 5860
	Flange, square Suitable for shaft encoders with clamping flange										
	<input type="checkbox"/> 58.0 mm, 4 mm thick	8.0010.2100.0000	326	X	X		X	X		X	X
	<input type="checkbox"/> 63.5 mm, 3 mm thick	8.0010.2120.0000	326	X	X		X	X		X	X
	<input type="checkbox"/> 70.0 mm, 10 mm thick	8.0010.2600.0000	326	X	X		X	X		X	X
	Flange, ø 70 mm Suitable for shaft encoders with clamping flange										
	5 mm thick	8.0010.2200.0000	327	X	X		X	X		X	X
	10 mm thick	8.0010.2500.0000	327	X	X		X	X		X	X
	Flange ø 65 mm With this adapter flange, Kübler encoders with size 58 mm can replace encoders with diameter 65 and pitch circle diameter 48 mm	8.0010.2230.0000	327	X	X		X	X		X	X
	Flange, ø 115 mm Euroflange	8.0010.2160.0000	328	X	X		X	X		X	X
		8.0010.2170.0000				X			X		X
	Flange, ø 58 mm Converts encoders with a clamping flange into synchro flange.	8.0010.2180.0000	328	X	X		X	X		X	X
	Flange, ø 90 mm Mechanically compatible with former encoder Type 9000	8.0010.2270.0000	328	X	X		X	X		X	X
	Angular flange 80 mm x 80 mm x 40 mm	8.0010.2300.0000	329	X	X		X	X		X	X
	Assembly bell Electrical and thermal isolation by means of glass fibre reinforced plastic and isolating spring washer coupling – supplied as complete set	8.0000.4500.XXXX	329	X	X		X	X		X	X
	Fastening eccentrics For shaft encoders with synchronous flange. Use at least three fastening eccentrics to mount the encoder.	8.0010.4200.0000	330	see table page 330							
		8.0010.4100.0000									

Accessories

Encoder mounting attachments	Fixing components for shaft encoders	Details
------------------------------	--------------------------------------	---------

Dimensions / Details

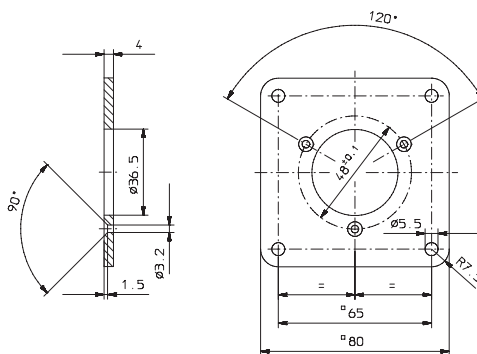
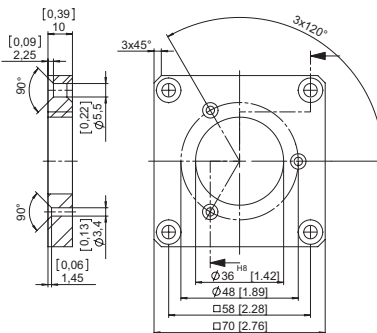
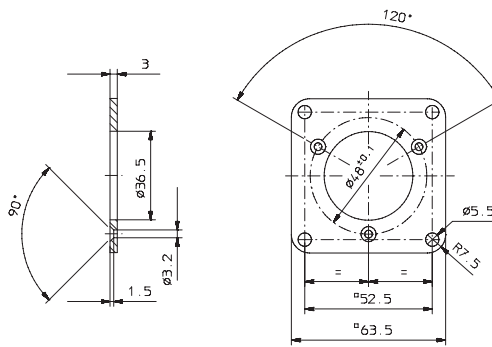
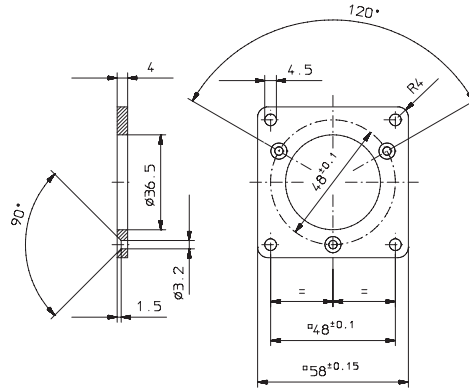
Flange, square

Scope of delivery:

- flange (aluminium)
- 3 screws for fixing to the encoder

Connection to application:

- 4 screws (not supplied)



Order-No.

8.0010.2100.0000

Order-No.

8.0010.2120.0000

Order-No.

8.0010.2600.0000

Order-No.

8.0010.2800.0000

Accessories

Encoder mounting attachments	Fixing components for shaft encoders	Details
------------------------------	--------------------------------------	---------

Dimensions / Details

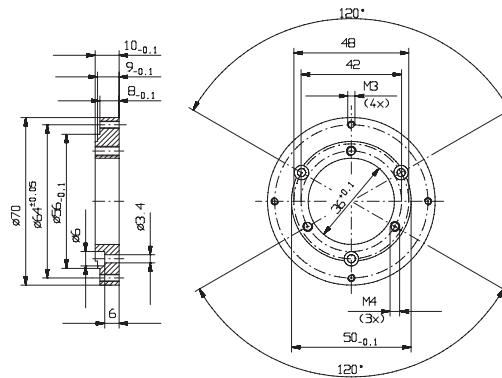
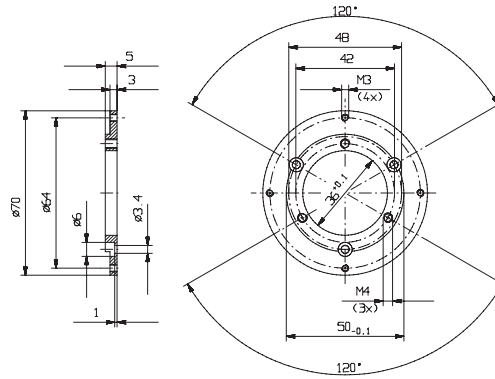
Flange, ø 70 mm

Scope of delivery:

- flange (aluminium)
- 3 screws for fixing to the encoder

Connection to application:

- 4 screws (not supplied)



Order-No.

8.0010.2200.0000

Order-No.

8.0010.2500.0000

Flange, ø 65 mm

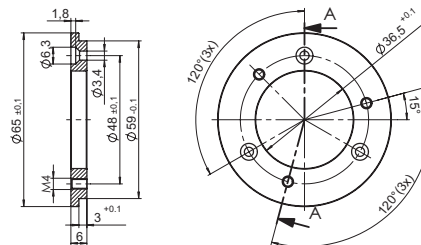
With this adapter flange, Kübler encoders with size 58 mm can replace encoders with diameter 65 and pitch circle diameter 48 mm.

Scope of delivery:

- flange (aluminium)
- 3 screws for fixing to the encoder

Connection to application:

- 3 screws (not supplied)



Order-No.

8.0010.2230.0000

Accessories

Encoder mounting attachments Fixing components for shaft encoders Details

Dimensions / Details

Flange, ø 115 mm, Euroflange (Euro REO 444)

Scope of delivery:
 - flange (aluminium)
 - 3 screws for encoder mounting

Connection to application:
 - 6 screws (not supplied)

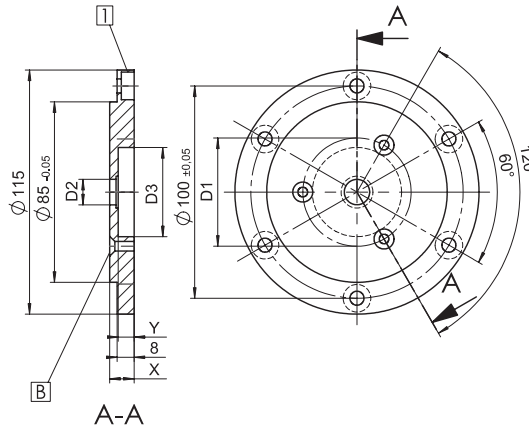
encoder type	D1	D2	D3	X	Y	B
580X/5000	48	36	58	11	1	DIN 74-BM3
70XX	51	12	42	11.5	7.5	DIN 74-BM4

Order-No.

8.0010.2160.0000

8.0010.2170.0000

- 1** countersunk DIN 74-Hm6
- B** see table

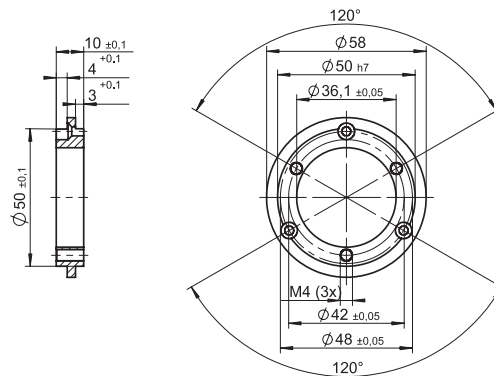


Flange, ø 58 mm

Converts encoders with a clamping flange into synchro flange.

Scope of delivery:
 - flange (aluminium)
 - 3 screws for encoder mounting

Connection to application:
 - 3 screws (not supplied)



Order-No.

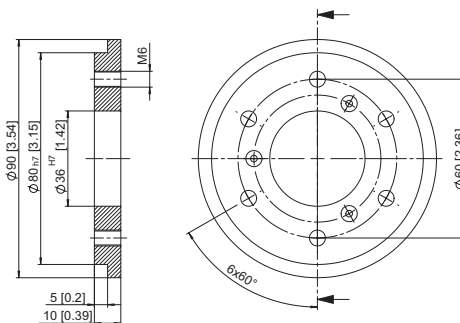
8.0010.2180.0000

Flange, ø 90 mm

Mechanically compatible with former encoder Type 9000

Scope of delivery:
 - flange
 - 3 screws for encoder mounting

Connection to application:
 - 6 screws (not supplied)



Order-No.

8.0010.2270.0000

Accessories

Encoder mounting attachments Fixing components for shaft encoders Details

Dimensions / Details

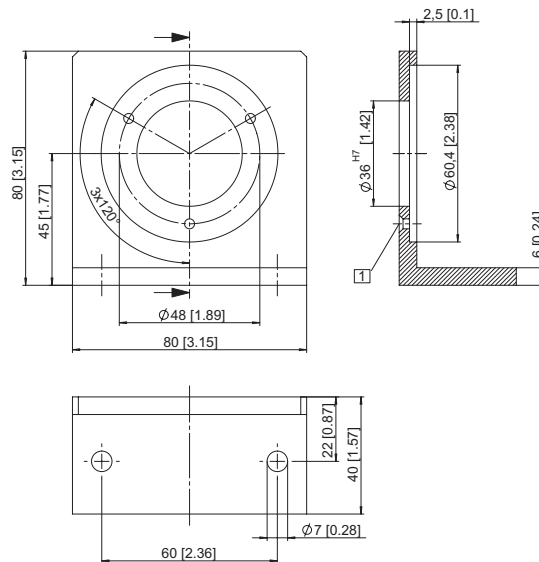
Angular flange

Scope of delivery:

- angular flange (aluminium)
- 3 screws for encoder mounting

Connection to application:

- 2 screws (not supplied)



1 countersunk DIN 74-Hm6

Order-No.

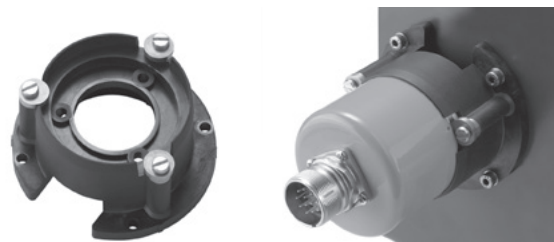
8.0010.2300.0000

Assembly bell

- Easy and quick encoder mounting
- Electrical and thermal isolation by means of glass fibre reinforced plastic and isolating spring washer coupling
- Supplied as complete set

Scope of delivery:

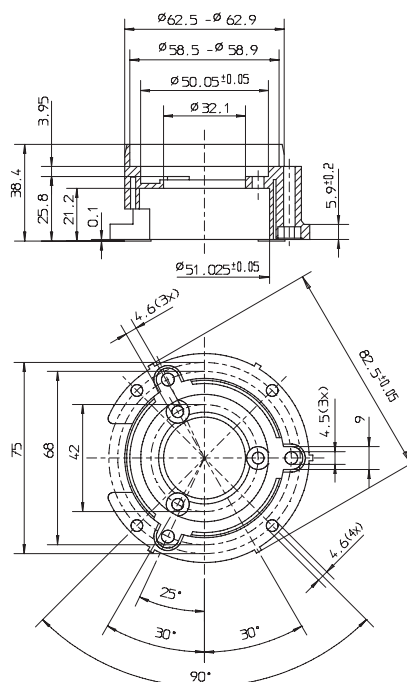
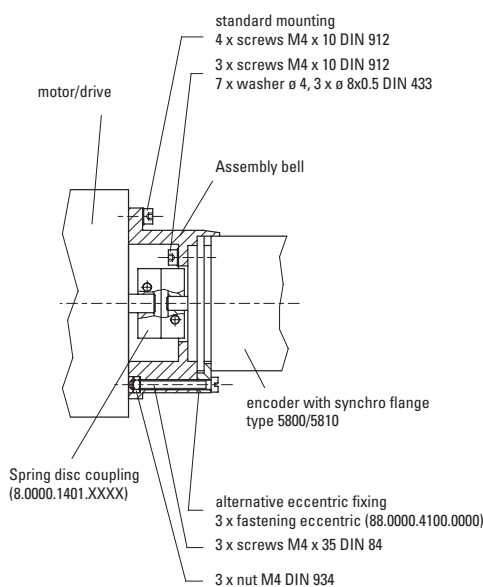
- Assembly bell
- Spring washer type coupling (8.0000.1401.XXXX)
- 4 hexagon socket head cap screws DIN 912 M4 x 12
- 3 hexagon socket head cap screws DIN 912 M4 x 10
- 7 washers DIN 433 ϕ 4
- 3 fastening eccentrics (8.0000.4B00.0000)
- 3 hexagon head screws DIN 84 M 4 x 35
- 3 hexagon nuts DIN 934 - M4



Order-No.

8.0000.4500.XXYY

XX = Coupling diameter
d1 in mm
YY = Coupling diameter
d2 in mm



Encoder mounting attachments	Fixing components for shaft encoders	Details
------------------------------	--------------------------------------	---------

Dimensions / Details

Fastening eccentrics

for encoders with synchro flange

- Suitable for Kübler encoders with synchro flange
- Material ACu Zn 39 Pb 3
- Surface finish: galvanized Ni

Scope of delivery:

- 3 eccentrics
- 3 screws

(Use at least three fastening eccentrics to mount the encoder)

<i>encoder type</i>	<i>D1</i>	<i>D2</i>	<i>D3</i>	<i>A</i>	<i>B</i>	<i>C</i>
3610 3651 M3658 F3653 / F3658 F3663 / F3668	6.8	5	2.8	3.5	2.25	0.9
5000 5803 / 5804 / 5805 5853 / 5858 5863 / 5868 5850 / 5852 7053 / 7058 7063 / 7068	8.9	6.5	3.2	5.6	2.9	1.2

Order-No.

8.0010.4200.0000

8.0010.4100.0000

